



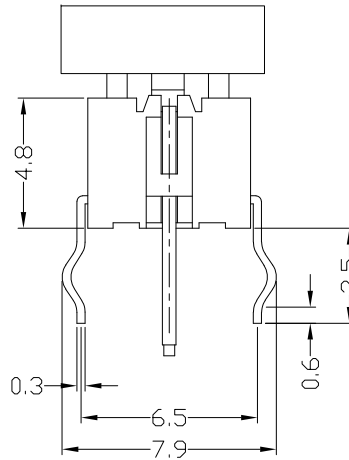
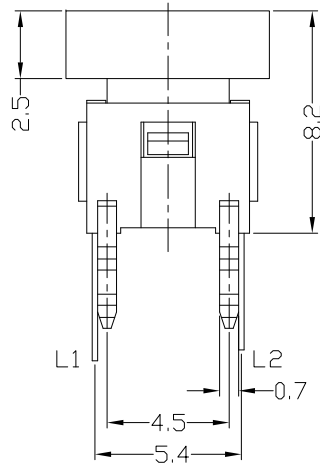
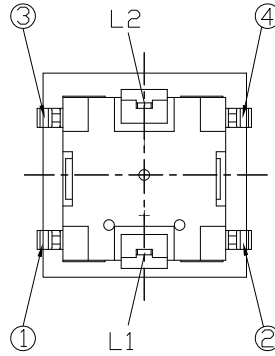
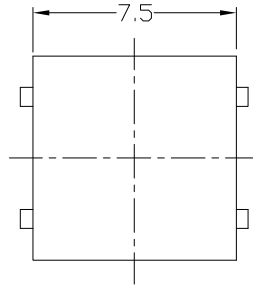
RoHS
Compliant
2002/95/EC

REV.	ECN. NO.	APPD.

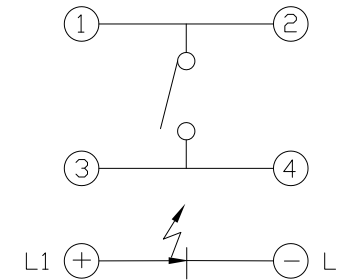
MODEL CODE

ATI-001-DW16-**-P-000-01F*-**
1 234 56 78 910 11

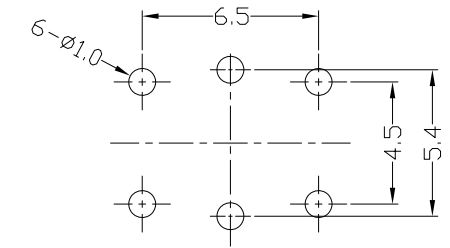
DIMENSIONS



- Series Number
- Terminal Type: D=Dip M=SMT
- Stem Color: W=White B=Black
- Operating Force: 16=160gf 25=250gf
- LED Color: 01=Red 02=Yellow 03=Green
04=Blue 05=White 06=Pure Green
08=Amber 09=Blue Green
0A=Pink 0B=Purple
- LED Appearance: P=Flat
- HOUSING Code: 00=Without
- HOUSING Color: 0=Without B=Black
- CAP Code
- CAP Color: B=Black W=White A=Gray
- Laser Engraving Pattern: 00=Without
01=Power Symbol
02=Power
03=Reset



SCHEMATIC



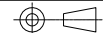
P.C.B LAYOUT

NO.	PARTS	MATERIAL	Q'TY	FINISHING
8				
7				
6	CAP	ABS/PC	1	
5	LED		1	
4	CONTACT	PBS C5210R-EH	1	Ag CLAD
3	TERMINAL	BRASS STRIP	4	Ag PLATED
2	CASE	NYLON+F.G	1	BLACK
1	KNOB	NYLON+F.G	1	WHITE

WITHIN 1.5mm: ±0.2mm	UNITS mm
OVER 1.5mm: ±0.3mm	MAT'L
	SEE NOTE
	FINISH
	SEE NOTE
	Q'TY

雅安科技有限公司 ACCURATE INNOTECH INC.			
TITLE: ILLUMINATED TACT SWITCH+CAP		PART NO.: ATI-001-DXX-XXP-000-01FX-XX	
DR: Ricky 2022/05/19		DWG NO.: AZJ-001-D-01F	
CHKD: Ricky 2022/05/19		SCALE: 4:1	SHEET: 1/1
APPD:		REV.: A	CUSTOMER DRAWING

THESE DRAWINGS AND SPECIFICATIONS ARE THE PROPERTY OF ACCURATE INNOTECH INC AND SHALL NOT BE REPRODUCED, COPIED OR USED IN ANY MANNER WITHOUT THE PRIOR WRITTEN CONSENT OF ACCURATE INNOTECH INC.





RoHS
Compliant
2002/95/EC

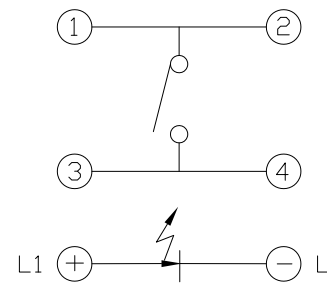
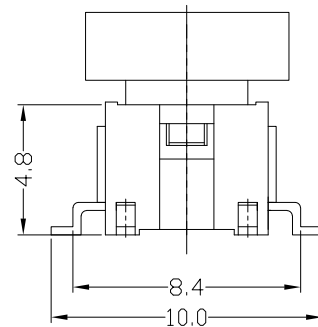
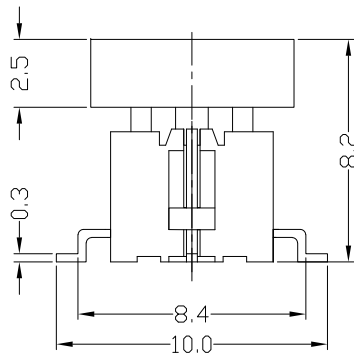
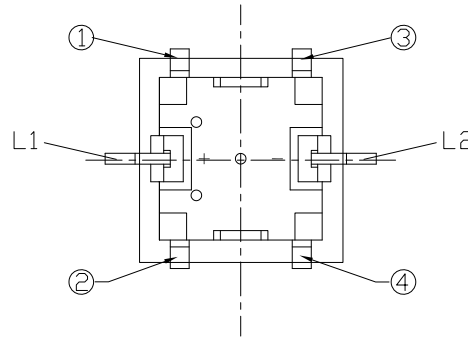
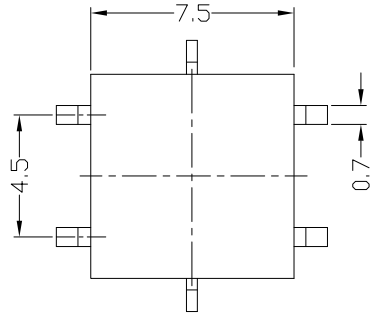
REV.	ECN. NO.	APPD.

MODEL CODE

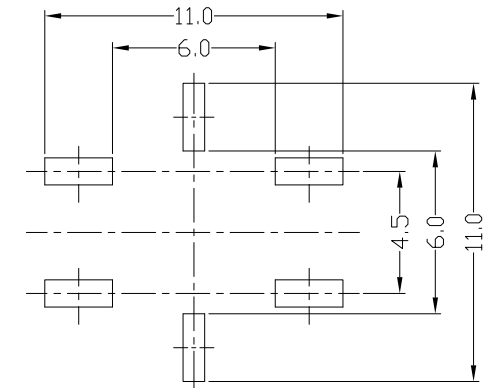
ATI-001-MW16-**-P-000-01F*-**
1 234 56 78 910 11

- Series Number
- Terminal Type: D=Dip M=SMT
- Stem Color: W=White B=Black
- Operating Force: 16=160gf 25=250gf
- LED Color: 01=Red 02=Yellow 03=Green
04=Blue 05=White 06=Pure Green
08=Amber 09=Blue Green
0A=Pink 0B=Purple
- LED Appearance: P=Flat
- HOUSING Code: 00=Without
- HOUSING Color: 0=Without B=Black
- CAP Code
- CAP Color: B=Black W=White A=Gray
- Laser Engraving Pattern: 00=Without
01=Power Symbol
02=Power
03=Reset

DIMENSIONS



SCHEMATIC



P.C.B. LAYOUT

NO.	PARTS	MATERIAL	Q'TY	FINISHING
8				
7				
6	CAP	ABS/PC	1	
5	LED		1	
4	CONTACT	PBS C5210R-EH	1	Ag CLAD
3	TERMINAL	BRASS STRIP	4	Ag PLATED
2	CASE	NYLON+F.G	1	BLACK
1	KNOB	NYLON+F.G	1	WHITE

WITHIN 1.5mm: ±0.2mm	UNITS mm
OVER 1.5mm: ±0.3mm	MAT'L
	SEE NOTE
	FINISH
	SEE NOTE
THESE DRAWINGS AND SPECIFICATIONS ARE THE PROPERTY OF ACCURATE INNOTECH INC AND SHALL NOT BE REPRODUCED, COPIED OR USED IN ANY MANNER WITHOUT THE PRIOR WRITTEN CONSENT OF ACCURATE INNOTECH INC.	Q'TY

雅安科技有限公司 ACCURATE INNOTECH INC.			
TITLE: ILLUMINATED TACT SWITCH+CAP		PART NO.: ATI-001-MXX-XXP-000-01FX-XX	
DR: Ricky 2022/05/19		DWG NO.: AZJ-001-M-01F	
CHKD: Ricky 2022/05/19		SCALE: 4:1	SHEET: 1/1
APPD:		REV. A	CUSTOMER DRAWING



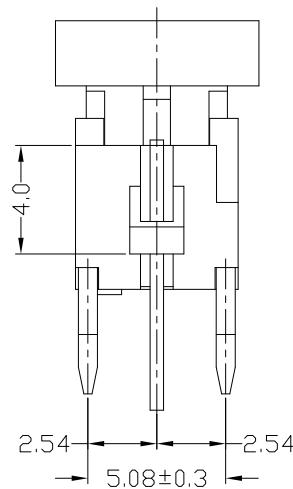
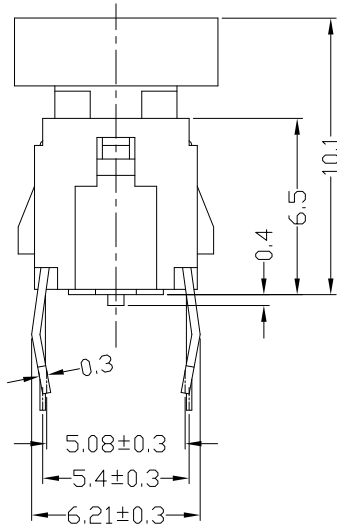
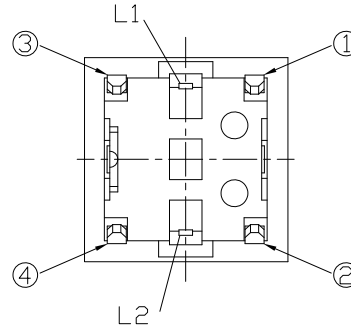
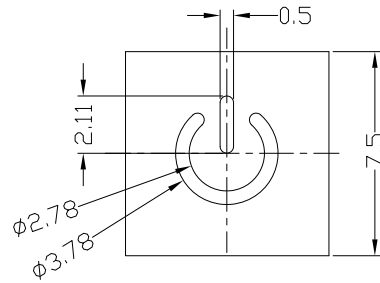
RoHS
Compliant
2002/95/EC

REV.	ECN. NO.	APPD.

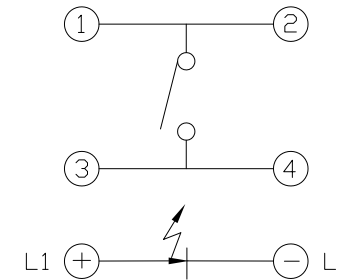
MODEL CODE

ATI-007-DW16-***P-000-01F*-**
1 234 56 78 9 10 11

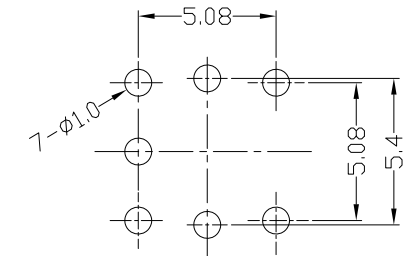
DIMENSIONS



- Series Number
- Terminal Type: D=Dip M=SMT
- Stem Color: W=White B=Black
- Operating Force: 16=160gf 25=250gf
- LED Color: 01=Red 02=Yellow 03=Green
04=Blue 05=White 06=Pure Green
08=Amber 09=Blue Green
0A=Pink 0B=Purple
- LED Appearance: P=Flat
- HOUSING Code: 00=Without
- HOUSING Color: 0=Without B=Black
- CAP Code
- CAP Color: B=Black W=White A=Gray
- Laser Engraving Pattern: 00=Without
01=Power Symbol
02=Power
03=Reset



SCHEMATIC



P.C.B LAYOUT

8					WITHIN 1.5mm: ±0.2mm	UNITS mm	雅安科技有限公司 ACCURATE INNOTECH INC.				
7					OVER 1.5mm: ±0.3mm	MAT'L					TITLE: ILLUMINATED TACT SWITCH+CAP
6	CAP	ABS/PC	1			SEE NOTE	DR: Ricky 2022/05/19	DWG NO.: AZJ-007-D-01F			
5	LED		1			SEE NOTE	CHKD: Ricky 2022/05/19	SCALE 4:1	SHEET 1/1	REV. A	CUSTOMER DRAWING
4	CONTACT	PBS C5210R-EH	1	Ag CLAD							
3	TERMINAL	BRASS STRIP	4	Ag PLATED							
2	CASE	NYLON+F.G	1	BLACK							
1	KNOB	NYLON+F.G	1	BLACK/WHITE							
NO.	PARTS	MATERIAL	Q'TY	FINISHING	THESE DRAWINGS AND SPECIFICATIONS ARE THE PROPERTY OF ACCURATE INNOTECH INC AND SHALL NOT BE REPRODUCED, COPIED OR USED IN ANY MANNER WITHOUT THE PRIOR WRITTEN CONSENT OF ACCURATE INNOTECH INC.		Q'TY				



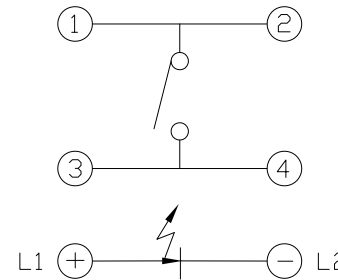
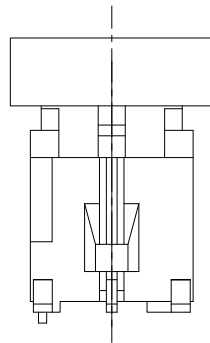
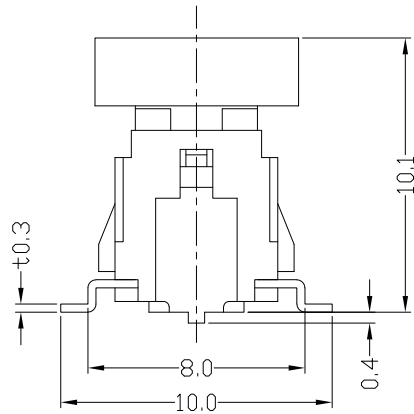
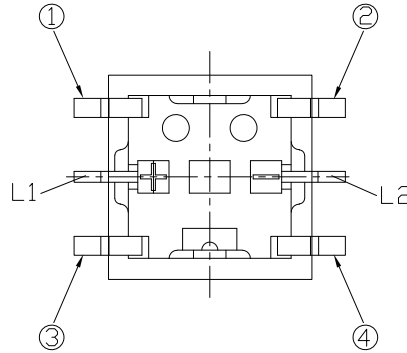
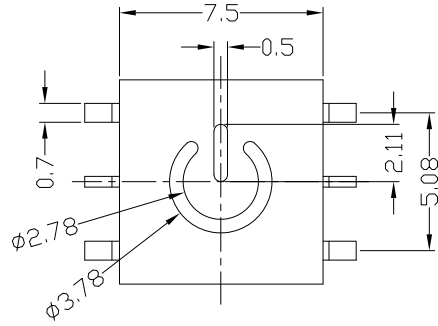
RoHS
Compliant
2002/95/EC

REV.	ECN. NO.	APPD.

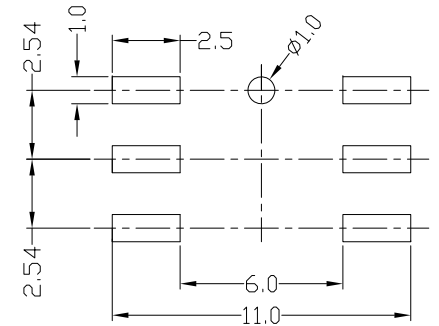
MODEL CODE

ATI-007-MB16-**-P-000-01F*-**
1 2 3 4 5 6 7 8 9 10 11

DIMENSIONS



SCHEMATIC



P.C.B LAYOUT

- Series Number
- Terminal Type: D=Dip M=SMT
- Stem Color: W=White B=Black
- Operating Force: 16=160gf 25=250gf
- LED Color: 01=Red 02=Yellow 03=Green
04=Blue 05=White 06=Pure Green
08=Amber 09=Blue Green
0A=Pink 0B=Purple
- LED Appearance: P=Flat
- HOUSING Code: 00=Without
- HOUSING Color: 0=Without B=Black
- CAP Code
- CAP Color: B=Black W=White A=Gray
- Laser Engraving Pattern: 00=Without
01=Power Symbol
02=Power
03=Reset

NO.	PARTS	MATERIAL	Q'TY	FINISHING
8				
7				
6	CAP	ABS	1	
5	LED		1	
4	CONTACT	PBS C5210R-EH	1	Ag CLAD
3	TERMINAL	BRASS STRIP	1	Ag PLATED
2	CASE	NYLON+F.G	1	BLACK
1	KNOB	NYLON+F.G	1	NATURAL

WITHIN 1.5mm: ±0.2mm	UNITS mm
OVER 1.5mm: ±0.3mm	MAT'L
	SEE NOTE
	FINISH
	SEE NOTE
THESE DRAWINGS AND SPECIFICATIONS ARE THE PROPERTY OF ACCURATE INNOTECH INC AND SHALL NOT BE REPRODUCED, COPIED OR USED IN ANY MANNER WITHOUT THE PRIOR WRITTEN CONSENT OF ACCURATE INNOTECH INC.	Q'TY

雅安科技有限公司 ACCURATE INNOTECH INC.			
TITLE: ILLUMINATED TACT SWITCH+CAP		PART NO.: ATI-007-MXX-XXP-000-01FX-XX	
DR: Ricky 2022/05/19		DWG NO.: AZJ-007-M-01F	
CHKD: Ricky 2022/05/19		SCALE: 4:1	SHEET: 1/1
APPD:		REV.: A	CUSTOMER DRAWING