



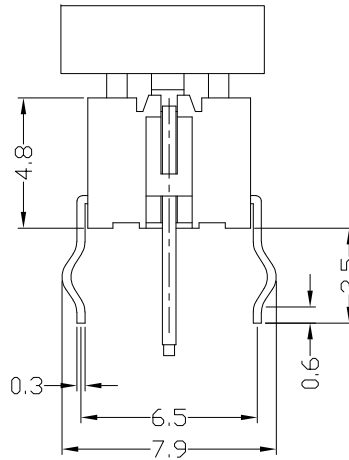
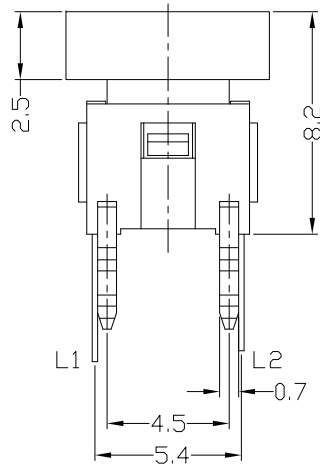
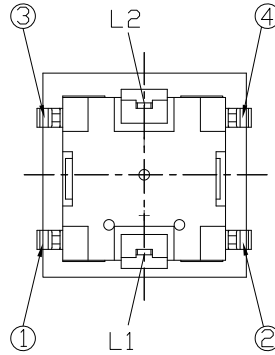
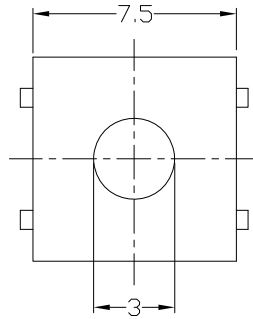
RoHS
Compliant
2002/95/EC

REV.	ECN. NO.	APPD.

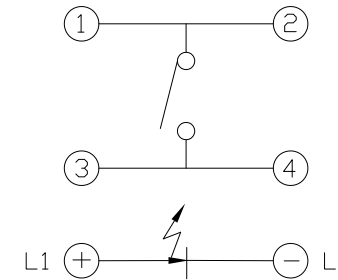
MODEL CODE

ATI-001-DW16-**P-000-02*-00
1 234 56 78 910 11

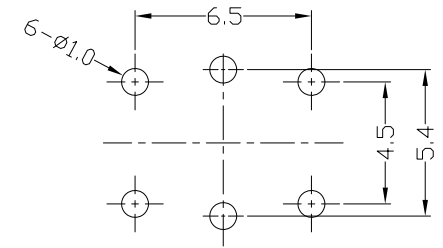
DIMENSIONS



- Series Number
- Terminal Type: D=Dip M=SMT
- Stem Color: W=White B=Black
- Operating Force: 16=160gf 25=250gf
- LED Color: 01=Red 02=Yellow 03=Green
04=Blue 05=White 06=Pure Green
08=Amber 09=Blue Green
0A=Pink 0B=Purple
- LED Appearance: P=Flat
- HOUSING Code: 00=Without
- HOUSING Color: 0=Without B=Black
- CAP Code
- CAP Color: B=Black A=Gray G=Green
- Laser Engraving Pattern: 00=Without
01=Power Symbol
02=Power
03=Reset



SCHMATIC



P.C.B LAYOUT

NO.	PARTS	MATERIAL	Q'TY	FINISHING	UNITS	mm	雅安科技有限公司 ACCURATE INNOTECH INC.				
8					WITHIN 1.5mm: ±0.2mm		TITLE: ILLUMINATED TACT SWITCH+CAP		PART NO.: ATI-001-DXX-XXP-000-02X-00		
7					OVER 1.5mm: ±0.3mm		DR: Ricky 2022/05/24		DWG NO.: AZJ-001-D-02		
6	CAP	ABS/PC	1				CHKD: Ricky 2022/05/24		SCALE	SHEET	
5	LED		1				APPD:		4:1	1/1	
4	CONTACT	PBS C5210R-EH	1	Ag CLAD					REV.	CUSTOMER	
3	TERMINAL	BRASS STRIP	4	Ag PLATED					A	DRAWING	
2	CASE	NYLON+F.G	1	BLACK							
1	KNOB	NYLON+F.G	1	WHITE							
					<small>THESE DRAWINGS AND SPECIFICATIONS ARE THE PROPERTY OF ACCURATE INNOTECH INC AND SHALL NOT BE REPRODUCED, COPIED OR USED IN ANY MANNER WITHOUT THE PRIOR WRITTEN CONSENT OF ACCURATE INNOTECH INC.</small>						



RoHS Compliant
2002/95/EC

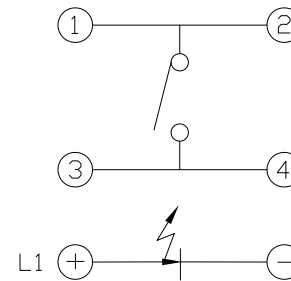
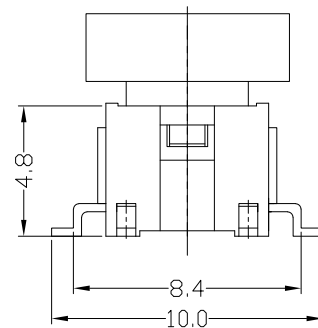
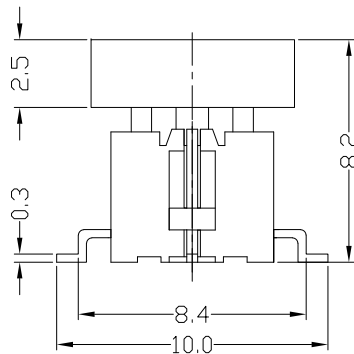
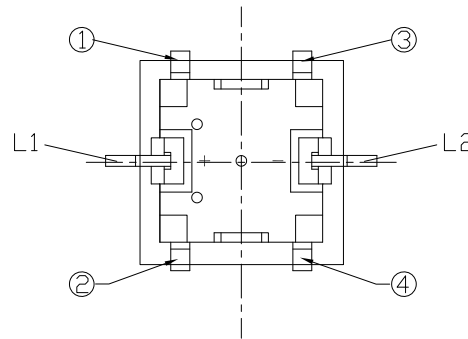
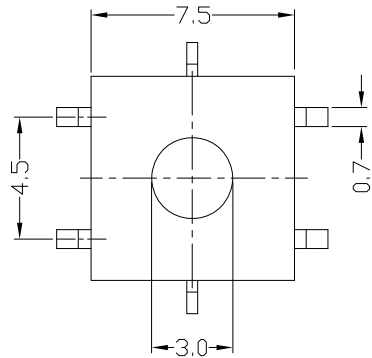
REV.	ECN. NO.	APPD.

MODEL CODE

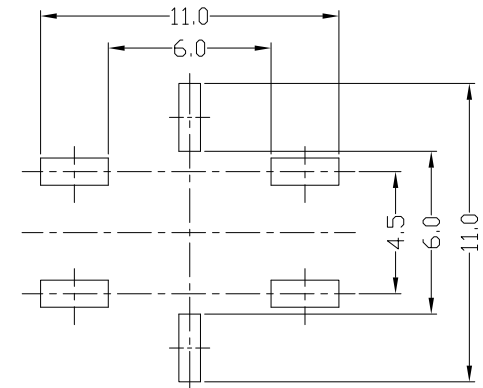
ATI-001-MW16-**P-000-02*-00
1 234 56 78 910 11

- Series Number
- Terminal Type: D=Dip M=SMT
- Stem Color: W=White B=Black
- Operating Force: 16=160gf 25=250gf
- LED Color: 01=Red 02=Yellow 03=Green
04=Blue 05=White 06=Pure Green
08=Amber 09=Blue Green
0A=Pink 0B=Purple
- LED Appearance: P=Flat
- HOUSING Code: 00=Without
- HOUSING Color: 0=Without B=Black
- CAP Code
- CAP Color: B=Black A=Gray G=Green
- Laser Engraving Pattern: 00=Without
01=Power Symbol
02=Power
03=Reset

DIMENSIONS



SCHEMATIC



P.C.B. LAYOUT

NO.	PARTS	MATERIAL	Q'TY	FINISHING
8				
7				
6	CAP	ABS/PC	1	
5	LED		1	
4	CONTACT	PBS C5210R-EH	1	Ag CLAD
3	TERMINAL	BRASS STRIP	4	Ag PLATED
2	CASE	NYLON+F.G	1	BLACK
1	KNOB	NYLON+F.G	1	WHITE

WITHIN 1.5mm: ±0.2mm	UNITS mm
OVER 1.5mm: ±0.3mm	MAT'L
	SEE NOTE
	FINISH
	SEE NOTE
	Q'TY

THESE DRAWINGS AND SPECIFICATIONS ARE THE PROPERTY OF ACCURATE INNOTECH INC AND SHALL NOT BE REPRODUCED, COPIED OR USED IN ANY MANNER WITHOUT THE PRIOR WRITTEN CONSENT OF ACCURATE INNOTECH INC.

雅安科技有限公司 ACCURATE INNOTECH INC.			
TITLE: ILLUMINATED TACT SWITCH+CAP		PART NO.: ATI-001-MXX-XXP-000-02X-00	
DR: <i>Ricky</i> 2022/05/24		DWG NO.: AZJ-001-M-02	
CHKD: <i>Ricky</i> 2022/05/24		SCALE	SHEET
APPD:		4:1	1/1
REV.	A	REV.	A
APPD.		CUSTOMER DRAWING	



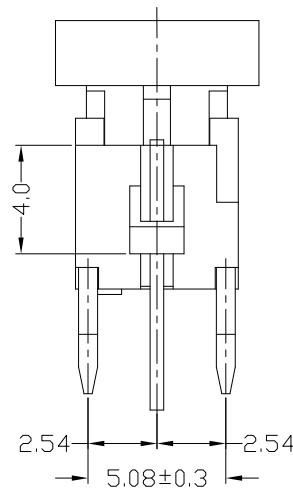
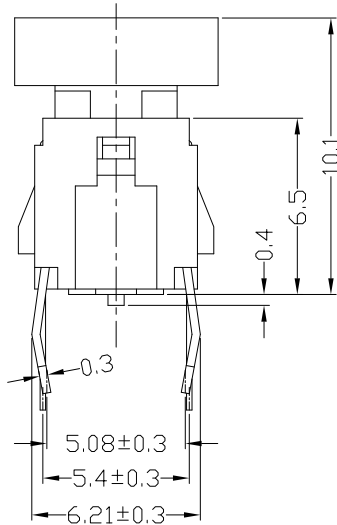
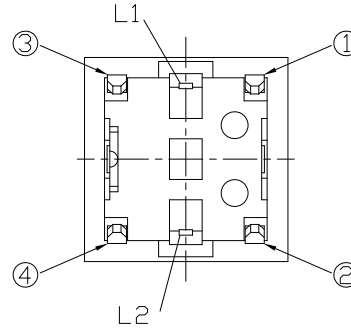
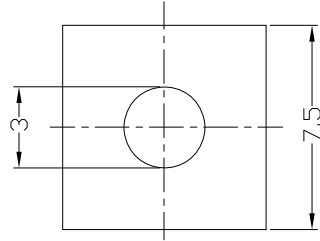
RoHS
Compliant
2002/95/EC

REV.	ECN. NO.	APPD.

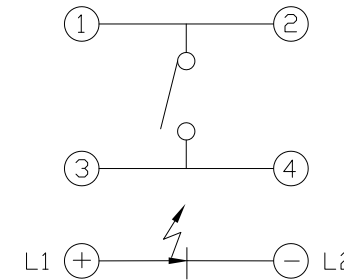
MODEL CODE

ATI-007-DW16-**P-000-02*-00
1 234 56 78 910 11

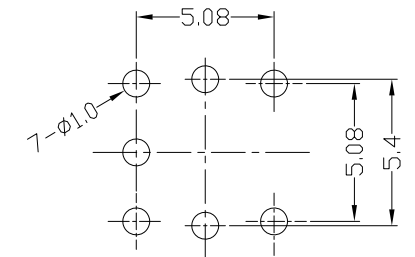
DIMENSIONS



1. Series Number
2. Terminal Type: D=Dip M=SMT
3. Stem Color: W=White B=Black
4. Operating Force: 16=160gf 25=250gf
5. LED Color: 01=Red 02=Yellow 03=Green
04=Blue 05=White 06=Pure Green
08=Amber 09=Blue Green
0A=Pink 0B=Purple
6. LED Appearance: P=Flat
7. HOUSING Code: 00=Without
8. HOUSING Color: 0=Without B=Black
9. CAP Code
10. CAP Color: B=Black A=Gray G=Green
11. Laser Engraving Pattern: 00=Without
01=Power Symbol
02=Power
03=Reset



SCHMATIC



P.C.B LAYOUT

NO.	PARTS	MATERIAL	Q'TY	FINISHING	UNITS	mm	雅安科技有限公司 ACCURATE INNOTECH INC.				
8					WITHIN 1.5mm:	±0.2mm	TITLE: ILLUMINATED TACT SWITCH+CAP	PART NO.: ATI-007-DXX-XXP-000-02X-00			
7				OVER 1.5mm:	±0.3mm	MAT'L					
6	CAP	ABS/PC	1				SEE NOTE	DR: <i>Ricky</i> 2022/05/24			
5	LED		1				SEE NOTE				
4	CONTACT	PBS C5210R-EH	1	Ag CLAD			FINISH	DWG NO.: AZJ-007-D-02			
3	TERMINAL	BRASS STRIP	4	Ag PLATED			SEE NOTE				
2	CASE	NYLON+F.G	1	BLACK			Q'TY	CHKD: <i>Ricky</i> 2022/05/24			
1	KNOB	NYLON+F.G	1	BLACK/WHITE							
								APPD:			
											SCALE
								4:1	1/1	A	DRAWING

THESE DRAWINGS AND SPECIFICATIONS ARE THE PROPERTY OF ACCURATE INNOTECH INC AND SHALL NOT BE REPRODUCED, COPIED OR USED IN ANY MANNER WITHOUT THE PRIOR WRITTEN CONSENT OF ACCURATE INNOTECH INC.





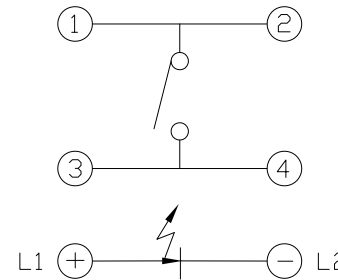
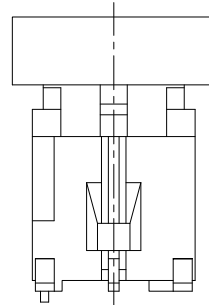
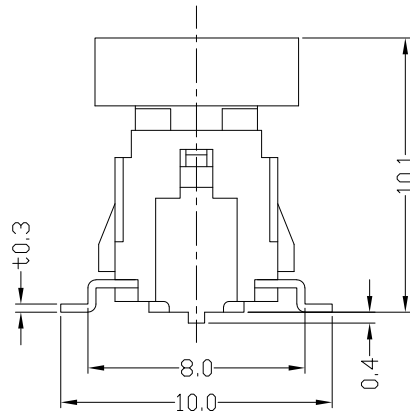
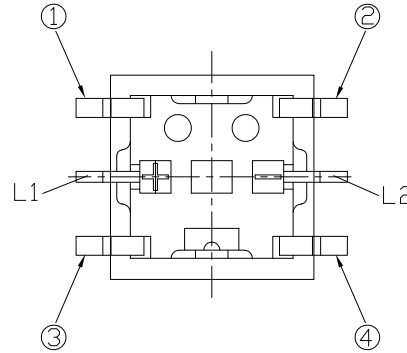
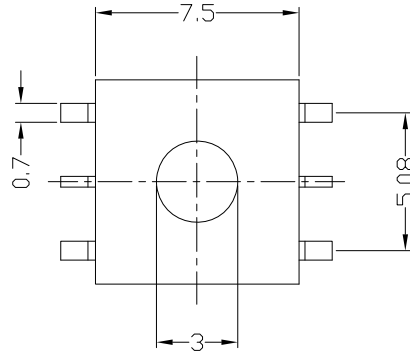
RoHS
Compliant
2002/95/EC

REV.	ECN. NO.	APPD.

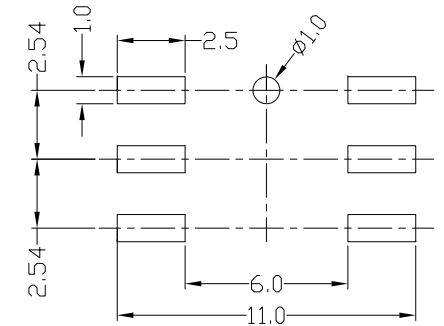
MODEL CODE

ATI-007-MB16-**P-000-02*-00
1 234 56 78 9 10 11

DIMENSIONS



SCHEMATIC



P.C.B LAYOUT

- Series Number
- Terminal Type: D=Dip M=SMT
- Stem Color: W=White B=Black
- Operating Force: 16=160gf 25=250gf
- LED Color: 01=Red 02=Yellow 03=Green
04=Blue 05=White 06=Pure Green
08=Amber 09=Blue Green
0A=Pink 0B=Purple
- LED Appearance: P=Flat
- HOUSING Code: 00=Without
- HOUSING Color: 0=Without B=Black
- CAP Code
- CAP Color: B=Black A=Gray G=Green
- Laser Engraving Pattern: 00=Without
01=Power Symbol
02=Power
03=Reset

NO.	PARTS	MATERIAL	Q'TY	FINISHING
8				
7				
6	CAP	ABS	1	
5	LED		1	
4	CONTACT	PBS C5210R-EH	1	Ag CLAD
3	TERMINAL	BRASS STRIP	1	Ag PLATED
2	CASE	NYLON+F.G	1	BLACK
1	KNOB	NYLON+F.G	1	NATURAL

WITHIN 1.5mm: ±0.2mm	UNITS mm
OVER 1.5mm: ±0.3mm	MAT'L
	SEE NOTE
	FINISH
	SEE NOTE
	Q'TY

THESE DRAWINGS AND SPECIFICATIONS ARE THE PROPERTY OF ACCURATE INNOTECH INC AND SHALL NOT BE REPRODUCED, COPIED OR USED IN ANY MANNER WITHOUT THE PRIOR WRITTEN CONSENT OF ACCURATE INNOTECH INC.

雅安科技有限公司 ACCURATE INNOTECH INC.			
TITLE: ILLUMINATED TACT SWITCH+CAP		PART NO.: ATI-007-MXX-XXP-000-02X-00	
DR: Ricky 2022/05/24		DWG NO.: AZJ-007-M-02	
CHKD: Ricky 2022/05/24		SCALE: 4:1	SHEET: 1/1
APPD:		REV.: A	CUSTOMER DRAWING