



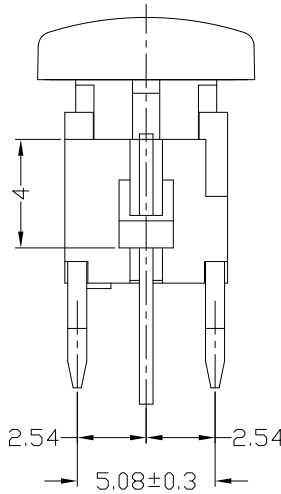
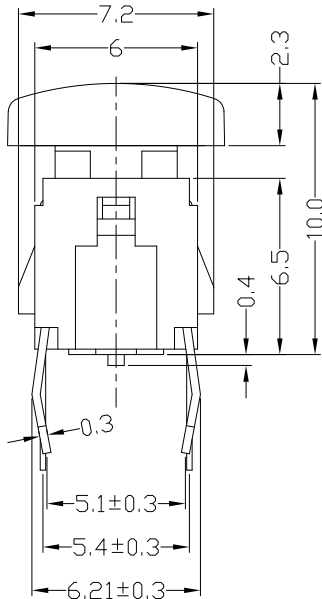
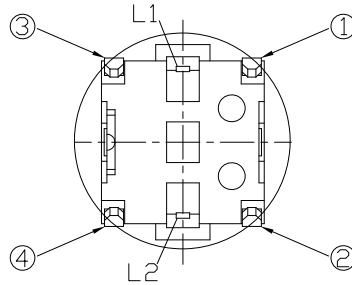
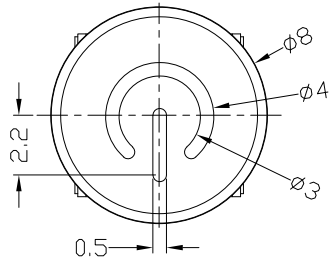
RoHS  
Compliant  
2002/95/EC

REV.	ECN. NO.	APPD.

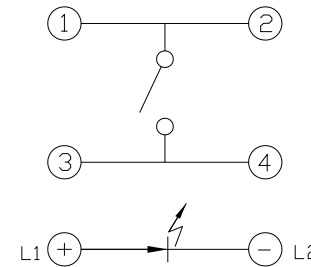
MODEL CODE

ATI-007-DW16-\*\*P-000-01\*-\*\*  
1 234 56 78 910 11

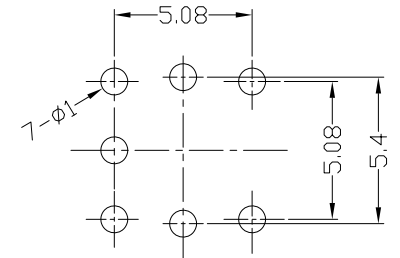
DIMENSIONS



- Series Number
- Terminal Type: D=Dip M=SMT
- Stem Color: W=White B=Black
- Operating Force: 16=160gf 25=250gf
- LED Color: 01=Red 02=Yellow 03=Green  
04=Blue 05=White 06=Pure Green  
08=Amber 09=Blue Green  
0A=Pink 0B=Purple
- LED Appearance: P=Flat
- HOUSING Code: 00=Without
- HOUSING Color: 0=Without B=Black
- CAP Code
- CAP Color: B=Black W=White
- Laser Engraving Pattern: 00=Without  
01=Power Symbol  
02=Power  
03=Reset



SCHEMATIC



P.C.B LAYOUT

NO.	PARTS	MATERIAL	Q'TY	FINISHING	WITHIN 1.5mm: ±0.1mm	OVER 1.5mm: ±0.2mm	UNITS	雅安科技有限公司 ACCURATE INNOTECH INC.			
8							mm	TITLE: ILLUMINATED TACT SWITCH+CAP		PART NO.: ATI-007-DXX-XXP-000-01X-XX	
7							MAT'L	DR: Ricky 2022/05/20		DWG NO.: AZJ-007-D-01	
6	LED		1				SEE NOTE	CHKD: Ricky 2022/05/20		SCALE SHEET REV. CUSTOMER 4:1 1/1 A DRAWING	
5	CAP	PC	1				FINISH	APPD:			
4	CONTACT	PBS C5210R-EH	1	Ag CLAD			SEE NOTE				
3	TERMINAL	BRASS STRIP	4	Ag PLATED			Q'TY				
2	CASE	NYLON+F.G	1	BLACK							
1	KNOB	NYLON+F.G	1	BLACK/WHITE							

THESE DRAWINGS AND SPECIFICATIONS ARE THE PROPERTY OF ACCURATE INNOTECH INC AND SHALL NOT BE REPRODUCED, COPIED OR USED IN ANY MANNER WITHOUT THE PRIOR WRITTEN CONSENT OF ACCURATE INNOTECH INC.



RoHS  
Compliant  
2002/95/EC

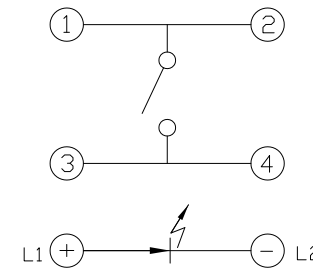
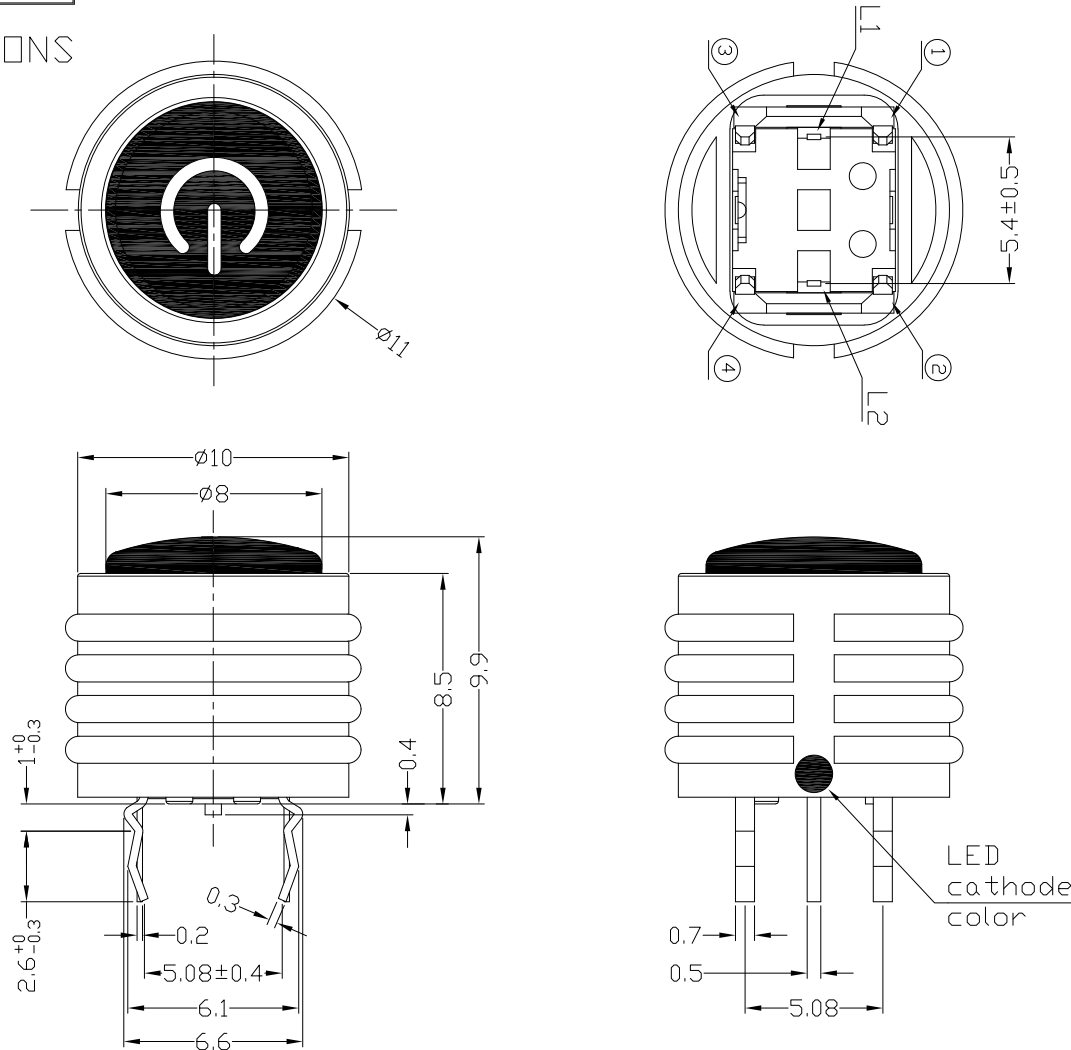
REV.	ECN. NO.	APPD.

MODEL CODE

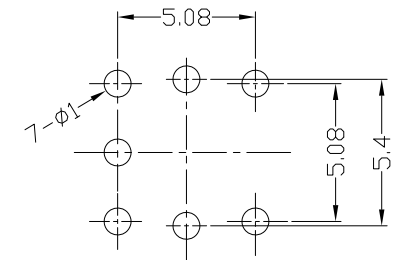
ATI-008-DW16-\*\*P-05B-01\*-\*\*  
1 234 56 78 910 11

- Series Number
- Terminal Type: D=Dip M=SMT
- Stem Color: W=White B=Black
- Operating Force: 16=160gf 25=250gf
- LED Color: 01=Red 02=Yellow 03=Green  
04=Blue 05=White 06=Pure Green  
08=Amber 09=Blue Green  
0A=Pink 0B=Purple
- LED Appearance: P=Flat
- HOUSING Code
- HOUSING Color: B=Black
- CAP Code
- CAP Color: B=Black W=White
- Laser Engraving Pattern: 00=Without  
01=Power Symbol  
02=Power  
03=Reset

DIMENSIONS



SCHEMATIC



P.C.B LAYOUT

NO.	PARTS	MATERIAL	Q'TY	FINISHING
8				
7	LED		1	
6	CAP SLEEVE	PA66	1	
5	CAP	PC	1	
4	CONTACT	PBS C5210R-EH	1	Ag CLAD
3	TERMINAL	BRASS STRIP	4	Ag PLATED
2	CASE	NYLON+F.G	1	BLACK
1	KNOB	NYLON+F.G	1	BLACK/WHITE

WITHIN 10mm: $\pm 0.3$ mm	UNITS
OVER 10mm: $\pm 0.5$ mm	mm
	MAT'L
	SEE NOTE
	FINISH
	SEE NOTE
	Q'TY


雅安科技有限公司 ACCURATE INNOTECH INC.			
TITLE:	ILLUMINATED TACT SWITCH+HOUSING+CAP	PART NO.:	ATI-008-DXX-XXP-05X-01X-XX
DR:	Ricky 2022/05/20	DWG NO.:	AZJ-008-D-05+01
CHKD:	Ricky 2022/05/20	SCALE	4:1
APPD:		SHEET	1/1
		REV.	A
		CUSTOMER DRAWING	

THESE DRAWINGS AND SPECIFICATIONS ARE THE PROPERTY OF ACCURATE INNOTECH INC AND SHALL NOT BE REPRODUCED, COPIED OR USED IN ANY MANNER WITHOUT THE PRIOR WRITTEN CONSENT OF ACCURATE INNOTECH INC.

