



RoHS
Compliant
2002/95/EC

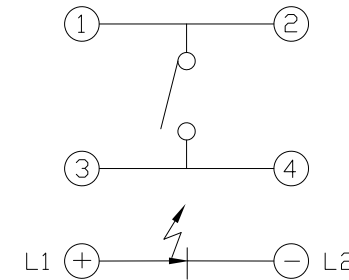
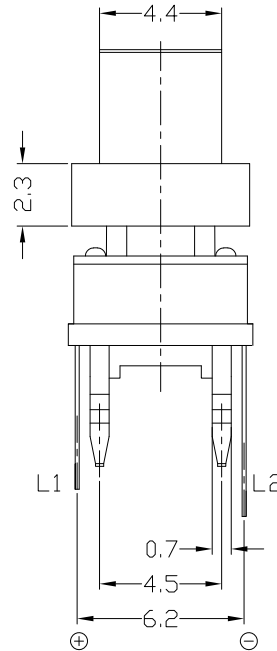
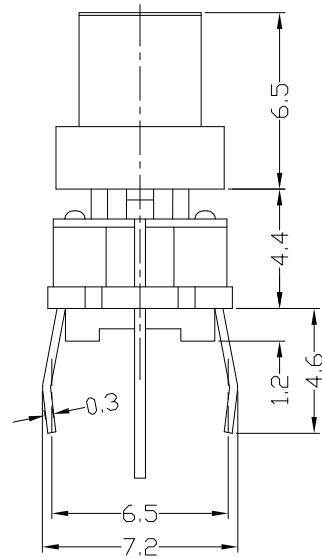
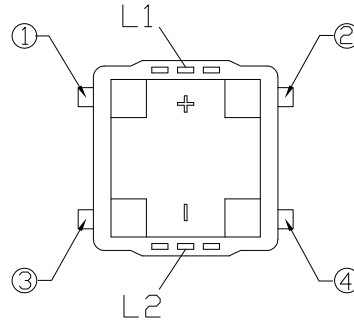
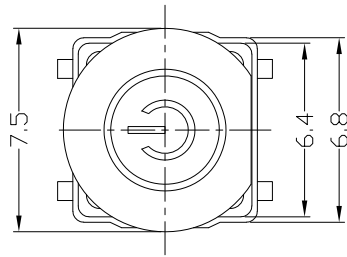
REV.	ECN. NO.	APPD.

MODEL CODE

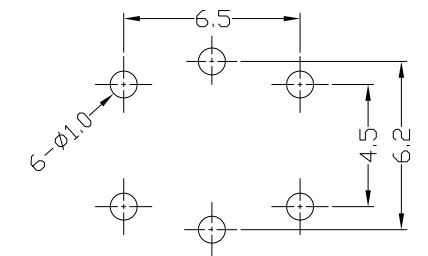
ATI-004-DW16-**P-000-07*-**
1 234 56 78 910 11

- Series Number
- Terminal Type: D=Dip M=SMT
- Stem Color: W=White B=Black
- Operating Force: 16=160gf 25=250gf
- LED Color: 01=Red 02=Yellow 03=Green
04=Blue 05=White 06=Pure Green
08=Amber 09=Blue Green
0A=Pink 0B=Purple
- LDE Appearance: P=Flat
- HOUSING Code: 00=Without
- HOUSING Color: 0=Without B=Black
- CAP Code
- CAP Color: N=Natural S=Silver
- Laser Engraving Pattern: 00=Without
01=Power Symbol
02=Power
03=Reset

DIMENSIONS



SCHEMATIC



P.C.B LAYOUT

NO.	PARTS	MATERIAL	Q'TY	FINISHING
8				
7	LED		1	
6	CAP	PC/ABS	1	
5	COVER	PBS C5210R-EH	1	NATURAL
4	CONTACT	PBS C5210R-EH	1	Ag CLAD
3	TERMINAL	BRASS STRIP	4	Ag PLATED
2	CASE	NYLON+F.G	1	BLACK
1	KNOB	NYLON+F.G	1	WHITE/BLACK

WITHIN 1.5mm: ±0.2mm
OVER 1.5mm: ±0.3mm

THESE DRAWINGS AND SPECIFICATIONS ARE THE PROPERTY OF ACCURATE INNOTECH INC AND SHALL NOT BE REPRODUCED, COPIED OR USED IN ANY MANNER WITHOUT THE PRIOR WRITTEN CONSENT OF ACCURATE INNOTECH INC.

UNITS	MAT'L	FINISH	Q'TY
mm	SEE NOTE	SEE NOTE	

雅安科技有限公司
ACCURATE INNOTECH INC.

TITLE: ILLUMINATED TACT SWITCH+CAP PART NO.: ATI-004-DXX-XXP-000-07X-XX

DR: Ricky 2022/05/28 DWG NO.: AZJ-004-D-07

CHKD: Ricky 2022/05/28

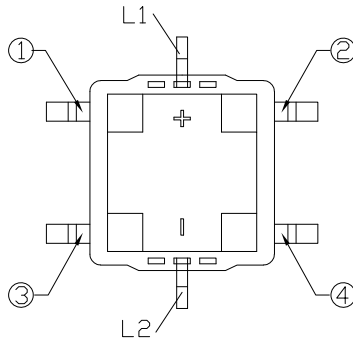
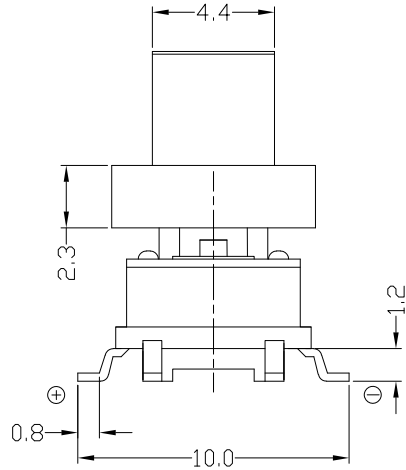
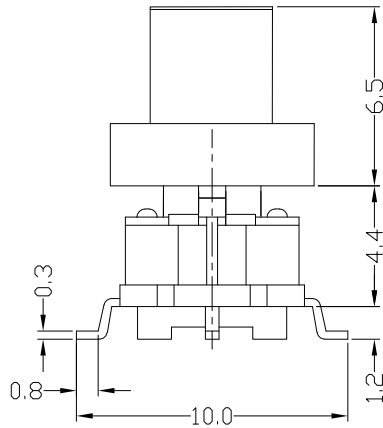
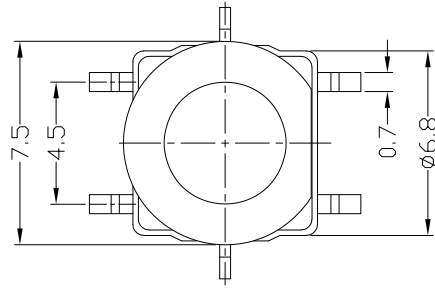
APPD:

SCALE	SHEET	REV.	CUSTOMER DRAWING
1:1	1/1	A	



RoHS
Compliant
2002/95/EC

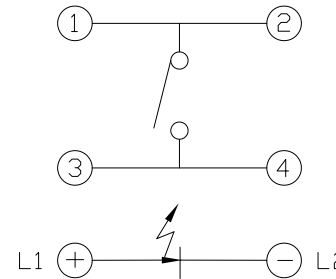
DIMENSIONS



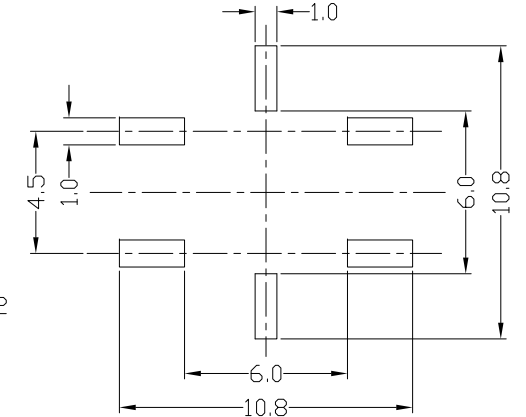
MODEL CODE

ATI-004-MW16-**P-000-07*-**
1 234 56 78 910 11

- Series Number
- Terminal Type: D=Dip M=SMT
- Stem Color: W=White B=Black
- Operating Force: 16=160gf 25=250gf
- LED Color: 01=Red 02=Yellow 03=Green
04=Blue 05=White 06=Pure Green
08=Amber 09=Blue Green
0A=Pink 0B=Purple
- LDE Appearance: P=Flat
- HOUSING Code: 00=Without
- HOUSING Color: 0=Without B=Black
- CAP Code
- CAP Color: N=Natural S=Silver
- Laser Engraving Pattern: 00=Without
01=Power Symbol
02=Power
03=Reset



SCHEMATIC



P.C.B LAYOUT

8					WITHIN 1.5mm: ±0.2mm	UNITS mm	雅安科技有限公司 ACCURATE INNOTECH INC.					
7					OVER 1.5mm: ±0.3mm	MAT'L					TITLE: ILLUMINATED TACT SWITCH+CAP	
6	LED		1			SEE NOTE	DR: Ricky 2022/05/28		DWG NO.: AZJ-004-M-07			
5	CAP	ABS/PC	1			SEE NOTE	CHKD: Ricky 2022/05/28		SCALE SHEET REV. CUSTOMER			
4	CONTACT	PBS C5210R-EH	1	Ag CLAD			APPD:		4:1	1/1	A	DRAWING
3	TERMINAL	BRASS STRIP	4	Ag PLATED								
2	CASE	NYLON+F.G	1	BLACK								
1	KNOB	NYLON+F.G	1	WHITE/BLACK								
NO.	PARTS	MATERIAL	Q'TY	FINISHING	THESE DRAWINGS AND SPECIFICATIONS ARE THE PROPERTY OF ACCURATE INNOTECH INC AND SHALL NOT BE REPRODUCED, COPIED OR USED IN ANY MANNER WITHOUT THE PRIOR WRITTEN CONSENT OF ACCURATE INNOTECH INC.							



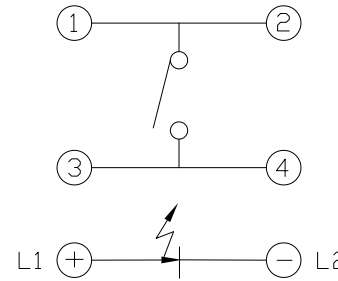
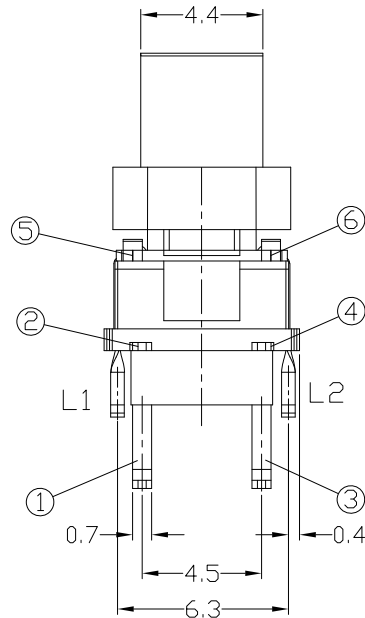
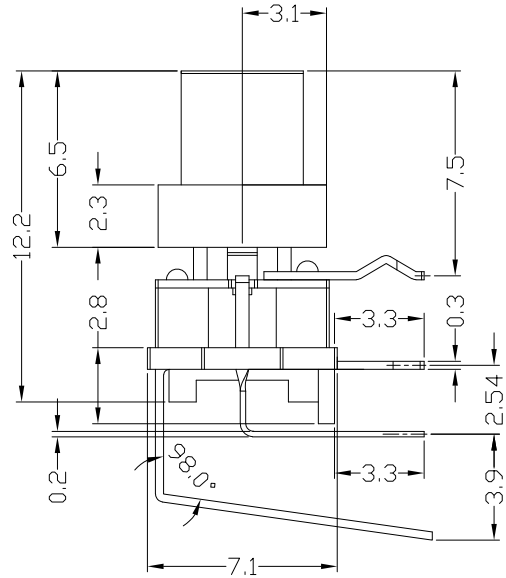
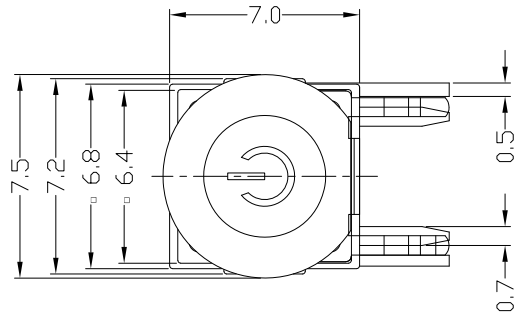
RoHS
Compliant
2002/95/EC
Process
Capable

REV.	ECN. NO.	APPD.

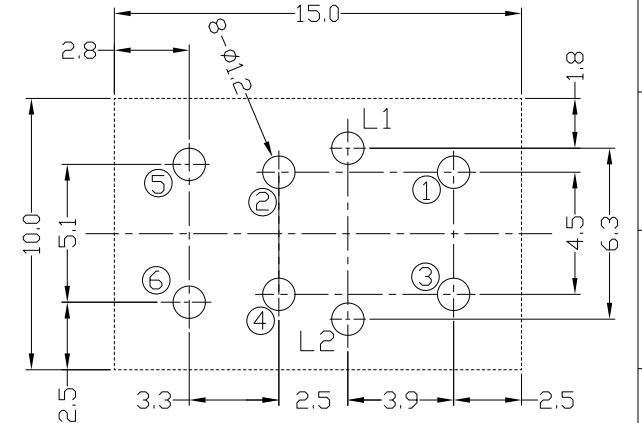
MODEL CODE

ATI-009-DW16-**P-000-07*-**
1 234 56 78 910 11

DIMENSIONS



SCHEMATIC



P.C.B LAYOUT
BOTTOM VIEW

- Series Number
- Terminal Type: D=Dip M=SMT
- Stem Color: W=White B=Black
- Operating Force: 16=160gf 25=250gf
- LED Color: 01=Red 02=Yellow 03=Green
04=Blue 05=White 06=Pure Green
08=Amber 09=Blue Green
0A=Pink 0B=Purple
- LED Appearance: P=Flat
- HOUSING Code: 00=Without
- HOUSING Color: 0=Without B=Black
- CAP Code
- CAP Color: N=Natural S=Silver
- Laser Engraving Pattern: 00=Without
01=Power Symbol
02=Power
03=Reset

NO.	PARTS	MATERIAL	Q'TY	FINISHING
8				
7	CAP	ABS/PC	1	
6	LED		1	
5	CONTACT	PBS	1	Ag CLAD
4	TERMINAL	BRASS STRIP	4	Ag PLATED
3	BASE	PA66	1	BLACK
2	COVER	PET	1	NATURAL
1	KNOB	PA66	1	WHITE/BLACK

WITHIN 1.5mm: ±0.2mm	UNITS mm
OVER 1.5mm: ±0.3mm	MAT'L
	SEE NOTE
	FINISH
	SEE NOTE
THESE DRAWINGS AND SPECIFICATIONS ARE THE PROPERTY OF ACCURATE INNOTECH INC AND SHALL NOT BE REPRODUCED, COPIED OR USED IN ANY MANNER WITHOUT THE PRIOR WRITTEN CONSENT OF ACCURATE INNOTECH INC.	Q'TY

雅安科技有限公司 ACCURATE INNOTECH INC.			
TITLE: ILLUMINATED TACT SWITCH+CAP		PART NO.: ATI-009-DXX-XXP-000-07X-XX	
DR: <i>Ricky</i> 2022/05/28		DWG NO.: AZJ-009-D-07	
CHKD: <i>Ricky</i> 2022/05/28		SCALE: 5:1	SHEET: 1/1
APPD:		REV.: A	CUSTOMER DRAWING