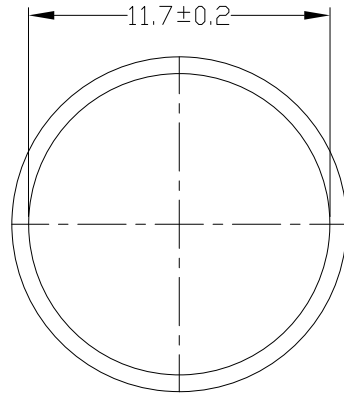




RoHS  
Compliant  
2002/95/EC

REV.	ECN.	NO.	APPD.



MODEL CODE:

1212R-

R=CIRCULAR(圓形)

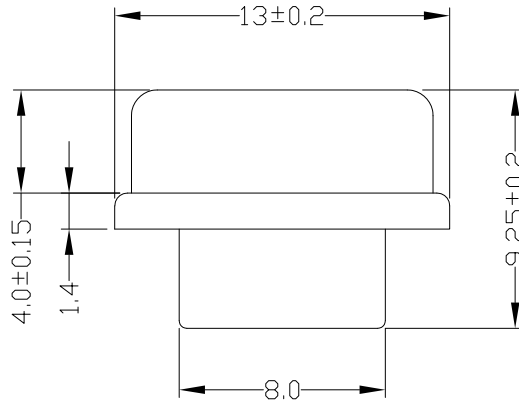
COLOR: \_\_\_\_\_

K=BLACK(黑色)

Ge=GREY(灰色)

\*OPERATION TEMPERATURE RANGE : -40°C~+85°C

\*STORAGE TEMPERATURE RANGE : -40°C~+85°C



1	CAP	ABS	1						
NO	PARTS	MATERIAL	QTY						

THESE DRAWINGS AND SPECIFICATIONS ARE THE PROPERTY OF ACCURATE INNOTECH INC AND SHALL NOT BE REPRODUCED, COPIED OR USED IN ANY MANNER WITHOUT THE PRIOR WRITTEN CONSENT OF ACCURATE INNOTECH INC.

UNITS	mm	雅安科技有限公司 ACCURATE INNOTECH INC.				
MAT'L	SEE NOTE					
FINISH	SEE NOTE	TITLE:	PART NO.:			
Q'TY		CAP (FOR 1103A)	1212R			
		DR: <i>Ricky</i> 2021/07/28	DWG NO.:			
		CHKD: <i>Ricky</i> 2021/07/28	ATK-1212R			
		APPD: _____	SCALE	SHEET	REV.	CUSTOMER
			1:1	1/1	A	DRAWING

