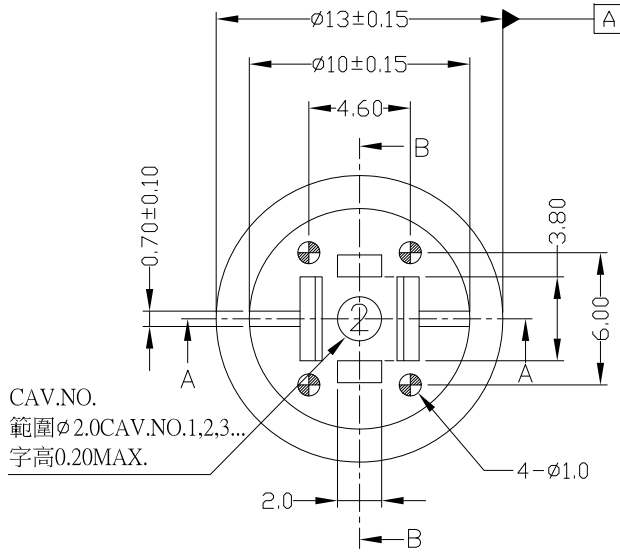


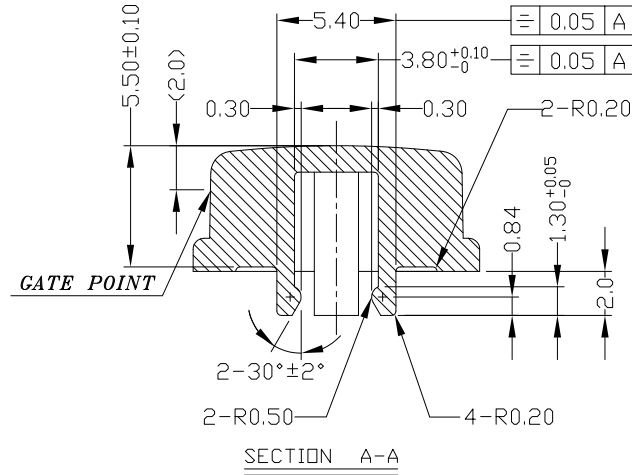


RoHS Compliant
2002/95/EC

REV.	ECN.	NO.	APPD.



CAV.NO.
範圍φ2.0CAV.NO.1,2,3...
字高0.20MAX.



MODEL CODE:

1273R-

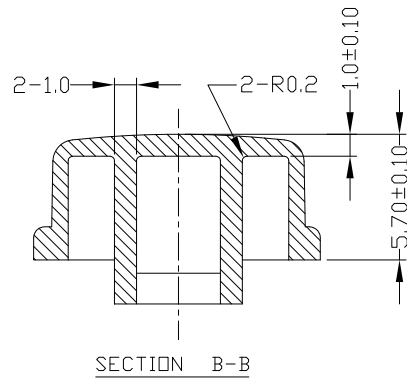
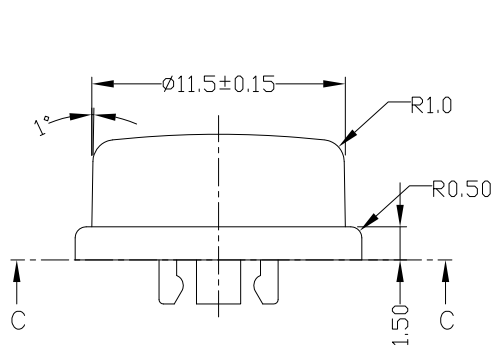
R=CIRCULAR(圓形)

COLOR:

- Y=YELLOW(黃色)
- B=BLUE(藍色)
- R=RED(紅色)
- I=IVORY(象牙色)
- K=BLACK(黑色)
- G=GREEN(綠色)
- S=SALMON(橙色)
- Ge=GREY(灰色)

*OPERATION TEMPERATURE RANGE : -40°C~+85°C

*STORAGE TEMPERATURE RANGE : -40°C~+85°C



NOTE:

- 1.General Tolerance : ±0.05mm MAX.
- 2.SUB GATE,在φ 11.5圓周上任一位置,設置一□:MAX 0.7mm,GATE RUNNER折斷後之毛邊翹起量,不得超出0.05mm.
- 3.C-C以上,模具表面請拋光.

NO	PARTS	MATERIAL	QTY	UNITS	MAT'L	FINISH	Q'TY	TITLE:	PART NO.:	DR:	CHKD:	APPD:	SCALE	SHEET	REV.	CUSTOMER DRAWING
1	CAP	ABS	1	mm	SEE NOTE	SEE NOTE	SEE NOTE	CAP (FOR 1103T)	1273R	Ricky	2014/04/18		1:1	1/1	A	
THESE DRAWINGS AND SPECIFICATIONS ARE THE PROPERTY OF ACCURATE INNOTECH INC AND SHALL NOT BE REPRODUCED, COPIED OR USED IN ANY MANNER WITHOUT THE PRIOR WRITTEN CONSENT OF ACCURATE INNOTECH INC.								ATD-1273R		DWG NO.:		CUSTOMER DRAWING				
								ATD-1273R		DWG NO.:		CUSTOMER DRAWING				