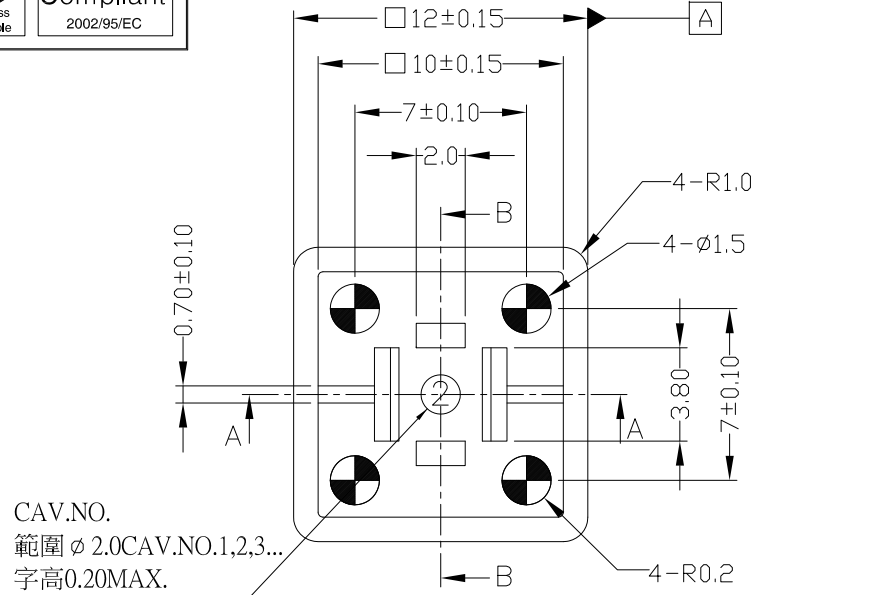


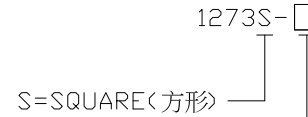


RoHS
Compliant
2002/95/EC

REV.	ECN. NO.	APPD.



MODEL CODE:



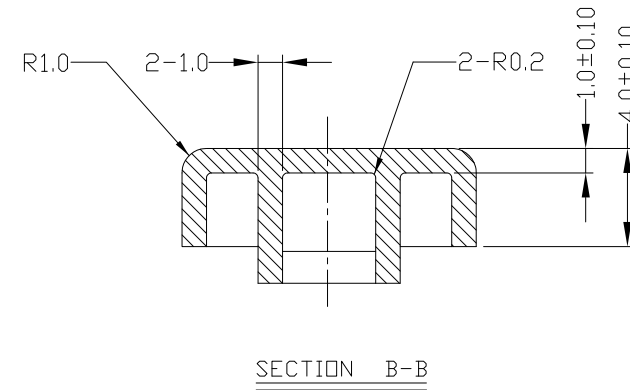
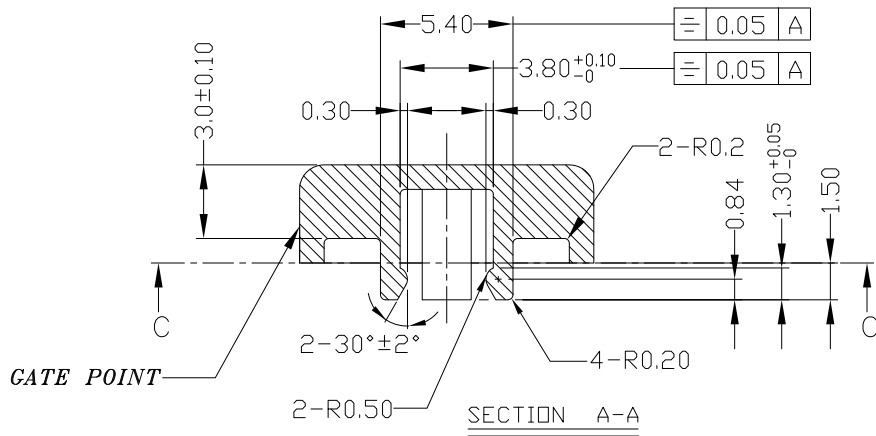
COLOR:
Y=YELLOW (黃色)
B=BLUE (藍色)
R=RED (紅色)
I=IVORY (象牙色)
K=BLACK (黑色)
G=GREEN (綠色)
S=SALMON (橙色)
Ge=GREY (灰色)

NOTE:

- 1.General Tolerance : ± 0.05 mm MAX.
- 2.針對GATE,設於左側面 \square :MAX 0.7mm
GATE RUNNER折斷後之毛邊翹起量,
不得超出0.05mm.
- 3.C-C以上,模具表面請拋光.

*OPERATION TEMPERATURE RANGE : $-40^{\circ}\text{C} \sim +85^{\circ}\text{C}$

*STORAGE TEMPERATURE RANGE : $-40^{\circ}\text{C} \sim +85^{\circ}\text{C}$



				UNITS	mm	雅安科技有限公司 ACCURATE INNOTECH INC.						
				MAT'L	SEE NOTE	TITLE:	PART NO.:					
				FINISH	SEE NOTE	DR:	CAP (FOR 1103T)		1273S			
1	CAP	ABS	1	Q'TY	CHKD:	Ricky 2014/04/17		DWG NO.:		ATD-1273S		
NO	PARTS	MATERIAL	QTY	THESE DRAWINGS AND SPECIFICATIONS ARE THE PROPERTY OF ACCURATE INNOTECH INC AND SHALL NOT BE REPRODUCED, COPIED OR USED IN ANY MANNER WITHOUT THE PRIOR WRITTEN CONSENT OF ACCURATE INNOTECH INC.		APPD:	Ricky 2014/04/17		SCALE	SHEET	REV.	CUSTOMER
1	1	2	3	4	5	6	7	8	1:1	1/1	A	DRAWING