



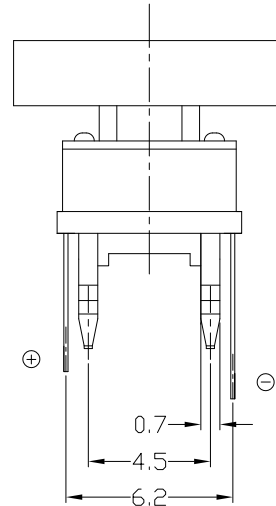
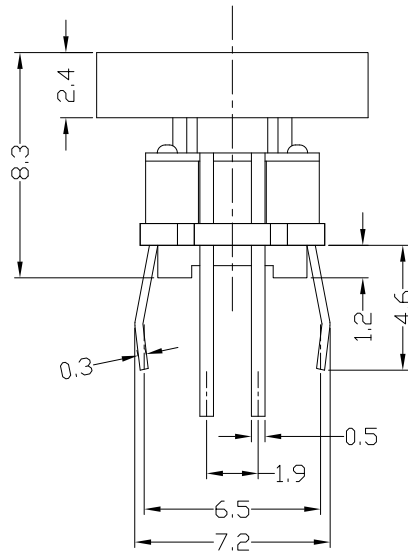
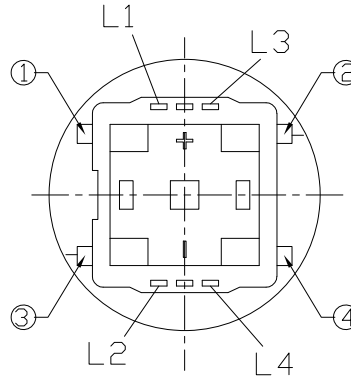
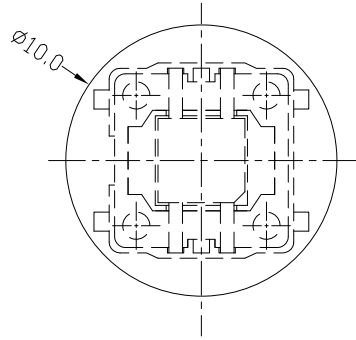
RoHS
Compliant
2002/95/EC

REV.	ECN. NO.	APPD.

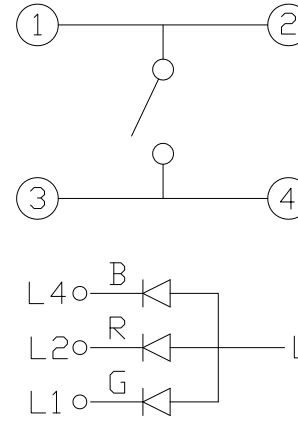
MODEL CODE

ATI-003-DW16-143P-000-20*-**
1 234 56 78 910 11

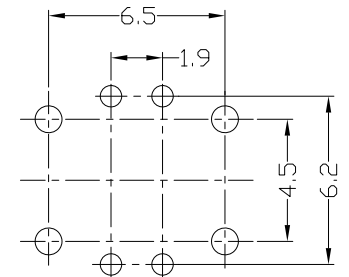
DIMENSIONS



- Series Number
- Terminal Type: D=Dip M=SMT
- Stem Color: W=White B=Black
- Operating Force: 16=160gf 25=250gf
- LED Color: 143=Red+Blue+Green
134=Red+Green+Blue
- LDE Appearance: P=Flat
- HOUSING Code: 00=Without
- HOUSING Color: 0=Without
- CAP Code
- CAP Color: C=Milky
- Laser Engraving Pattern: 00=Without
01=Power Symbol
02=Power
03=Reset



SCHEMATIC



P.C.B LAYOUT

NO.	PARTS	MATERIAL	Q'TY	FINISHING
8				
7	LED		1	
6	CAP	PC/ABS	1	
5	COVER	PET	1	NATURAL
4	CONTACT	PBS C5210R-EH	1	Ag PLATED
3	TERMINAL	BRASS STRIP	1	Ag PLATED
2	CASE	NYLON+F.G	1	BLACK
1	KNOB	NYLON+F.G	1	WHITE

WITHIN 1.5mm: ±0.1mm	UNITS mm
OVER 1.5mm: ±0.2mm	MAT'L
	SEE NOTE
	FINISH
	SEE NOTE
	Q'TY

THESE DRAWINGS AND SPECIFICATIONS ARE THE PROPERTY OF ACCURATE INNOTECH INC AND SHALL NOT BE REPRODUCED, COPIED OR USED IN ANY MANNER WITHOUT THE PRIOR WRITTEN CONSENT OF ACCURATE INNOTECH INC.

雅安科技有限公司 ACCURATE INNOTECH INC.			
TITLE: ILLUMINATED TACT SWITCH+CAP		PART NO.: ATI-003-DXX-143P-000-20X-XX	
DR: Ricky 2024/08/18		DWG NO.: AZJ-003-D-20	
CHKD: Ricky 2024/08/18		SCALE: 4:1	SHEET: 1/1
APPD:		REV.: A	CUSTOMER DRAWING



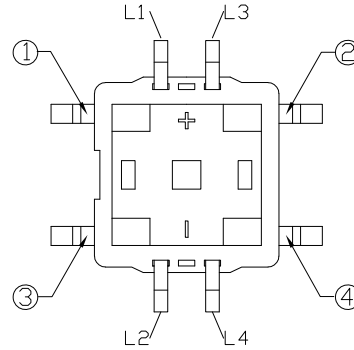
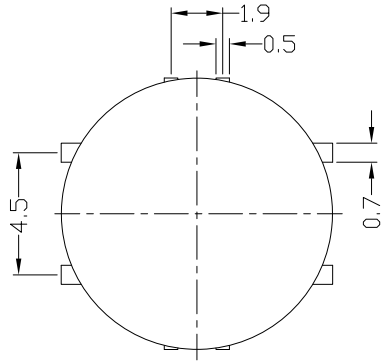
RoHS
Compliant
2002/95/EC

REV.	ECN. NO.	APPD.

MODEL CODE

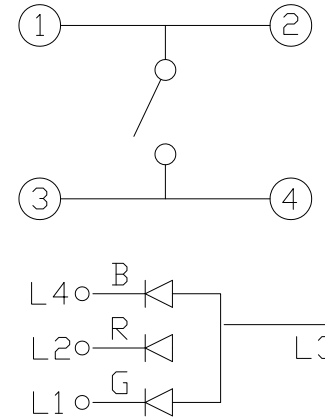
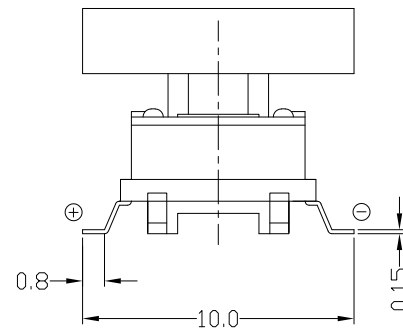
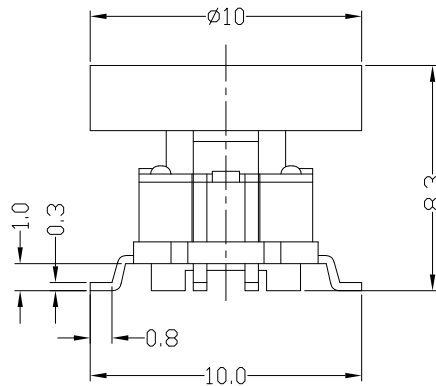
ATI-003-MB16-143P-000-20*-**
1 234 56 78 910 11

DIMENSIONS

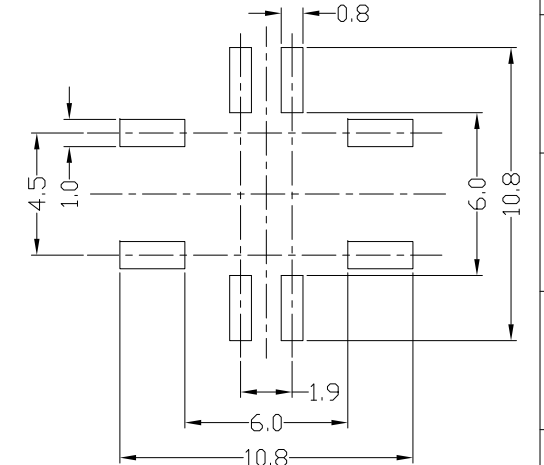


1. Series Number
2. Terminal Type: D=Dip M=SMT
3. Stem Color: W=White B=Black
4. Operating Force: 16=160gf 25=250gf
5. LED Color: 143=Red+Blue+Green
134=Red+Green+Blue

6. LDE Appearance: P=Flat
7. HOUSING Code: 00=Without
8. HOUSING Color: 0=Without
9. CAP Code
10. CAP Color: C=Milky
11. Laser Engraving Pattern: 00=Without
01=Power Symbol
02=Power
03=Reset



SCHEMATIC



P.C.B LAYOUT

NO.	PARTS	MATERIAL	Q'TY	FINISHING
8				
7	LED		1	
6	CAP	PC/ABS	1	
5	COVER	PPA	1	BLACK
4	CONTACT	PBS C5210R-EH	1	Ag CLAD
3	TERMINAL	BRASS STRIP	1	Ag PLATED
2	CASE	NYLON+F.G/PA6T	1	BLACK
1	KNOB	NYLON+F.G/PA46	1	BLACK

WITHIN 1.5mm: ±0.1mm	UNITS mm
OVER 1.5mm: ±0.2mm	MAT'L
	SEE NOTE
	FINISH
	SEE NOTE
	Q'TY

雅安科技有限公司 ACCURATE INNOTECH INC.			
TITLE: ILLUMINATED TACT SWITCH+CAP		PART NO.: ATI-003-MXX-143P-000-20X-XX	
DR: Ricky 2024/08/19		DWG NO.: AZJ-003-M-20	
CHKD: Ricky 2024/08/19		SCALE: 4:1	SHEET: 1/1
APPD:		REV: A	CUSTOMER DRAWING

THESE DRAWINGS AND SPECIFICATIONS ARE THE PROPERTY OF ACCURATE INNOTECH INC AND SHALL NOT BE REPRODUCED, COPIED OR USED IN ANY MANNER WITHOUT THE PRIOR WRITTEN CONSENT OF ACCURATE INNOTECH INC.