



RoHS
Compliant
2002/95/EC

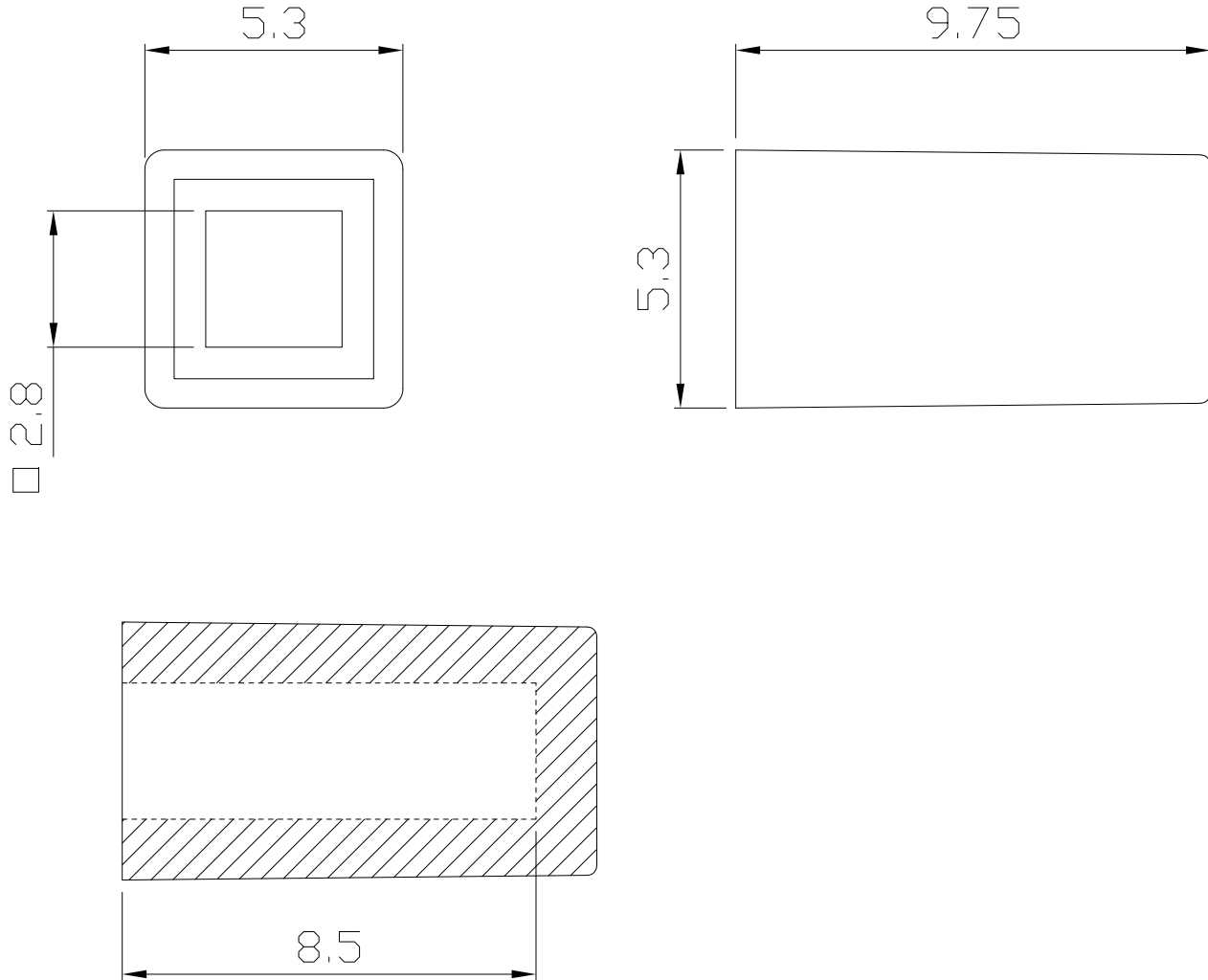
REV.	ECN.	NO.	APPD.

MODEL CODE

280-00S-B

CAP Color
B BLACK

DIMENSIONS



8					WITHIN 10mm: ±0.05mm	UNITS mm	雅安科技有限公司 ACCURATE INNOTECH INC.				
7					OVER 10mm: ±0.1mm	MAT'L SEE NOTE					TITLE: CAP (FOR Knob 2.8x2.8)
6							DR: <i>Ricky</i> 2018/10/12	DWG NO.: AZJ-280-00S			
5							CHKD: <i>Ricky</i> 2018/10/12	SCALE	SHEET	REV.	CUSTOMER
4							APPD:	1:1	1/1	A	DRAWING
3											
2											
1	CAP	ABS	1	BLACK							
NO.	PARTS	MATERIAL	Q'TY	FINISHING	THESE DRAWINGS AND SPECIFICATIONS ARE THE PROPERTY OF ACCURATE INNOTECH INC AND SHALL NOT BE REPRODUCED, COPIED OR USED IN ANY MANNER WITHOUT THE PRIOR WRITTEN CONSENT OF ACCURATE INNOTECH INC.						