



RoHS
Compliant
2002/95/EC

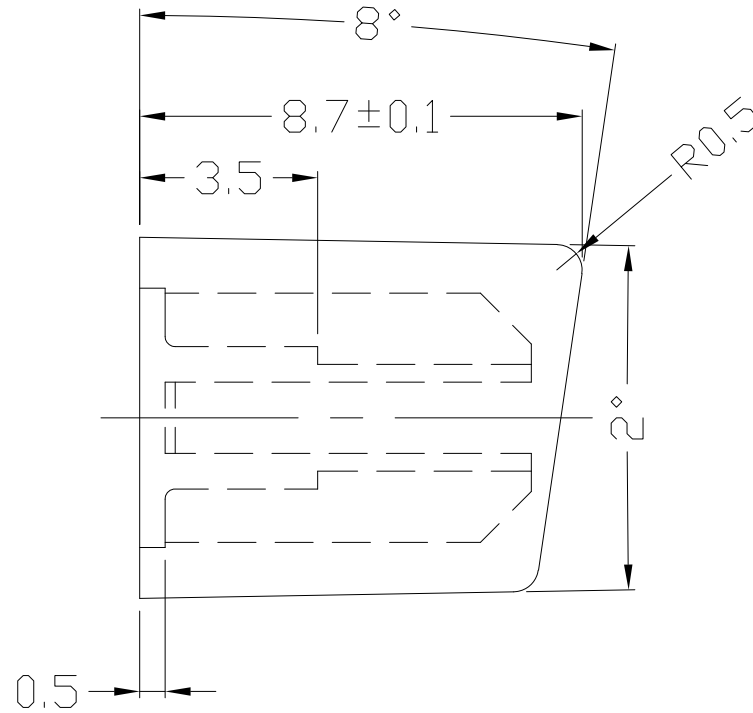
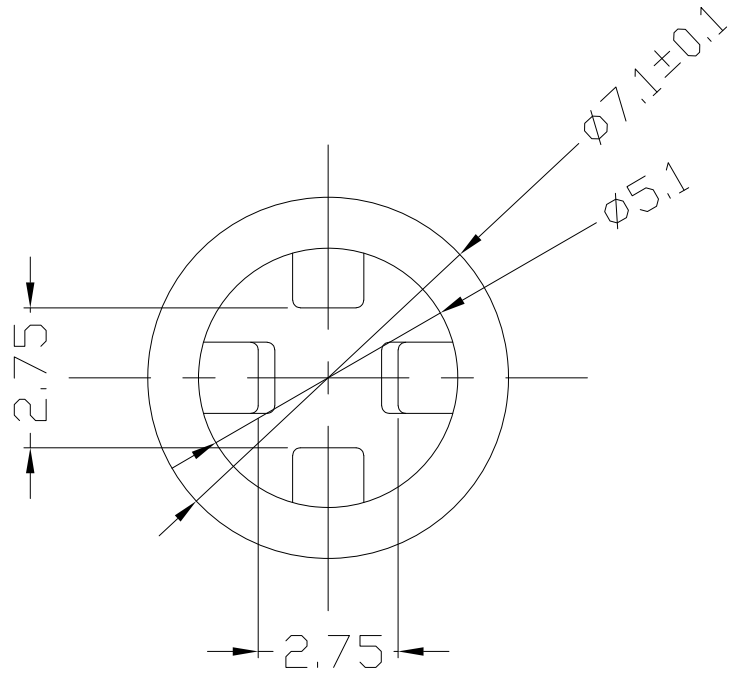
REV.	ECN. NO.	APPD.

MODEL CODE

281-02R-□

CAP Color	
B	BLACK
W	WHITE
□	ORANGE
R	RED

DIMENSIONS



8					WITHIN 10mm: ±0.05mm	UNITS mm	雅安科技有限公司 ACCURATE INNOTECH INC.				
7					OVER 10mm: ±0.1mm	MAT'L					
6						SEE NOTE	TITLE:	PART NO:			
5							CAP (FOR Knob 2.8x2.8)	281-02R			
4						FINISH	DR: <i>Ricky</i> 2018/11/27	DWG NO: ADS-281-02R			
3						SEE NOTE	CHKD: <i>Ricky</i> 2018/11/27	SCALE	SHEET	REV.	CUSTOMER
2					THESE DRAWINGS AND SPECIFICATIONS ARE THE PROPERTY OF ACCURATE INNOTECH INC AND SHALL NOT BE REPRODUCED, COPIED OR USED IN ANY MANNER WITHOUT THE PRIOR WRITTEN CONSENT OF ACCURATE INNOTECH INC.	Q'TY	APPD:	1:1	1/1	A	DRAWING
1	CAP	ABS	1	BLACK/WHITE/ORANGE/RED							
NO.	PARTS	MATERIAL	Q'TY	FINISHING							