



RoHS
Compliant
2002/95/EC

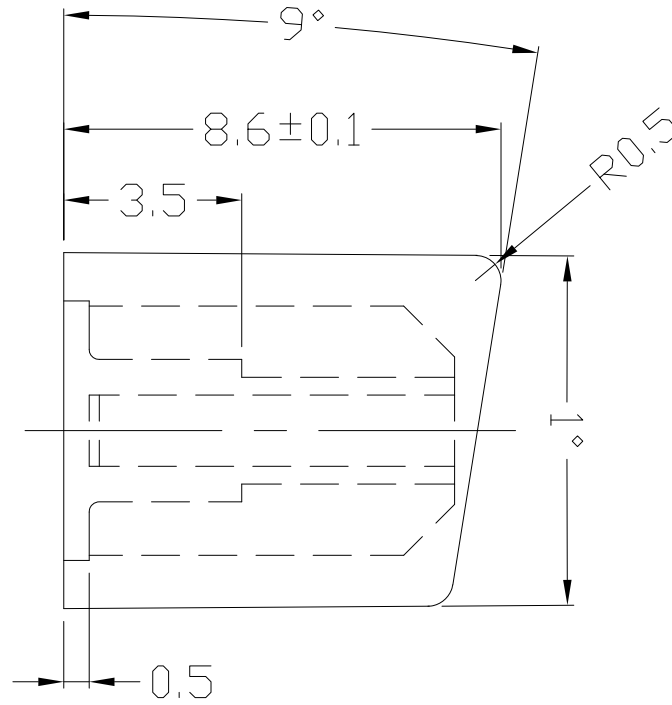
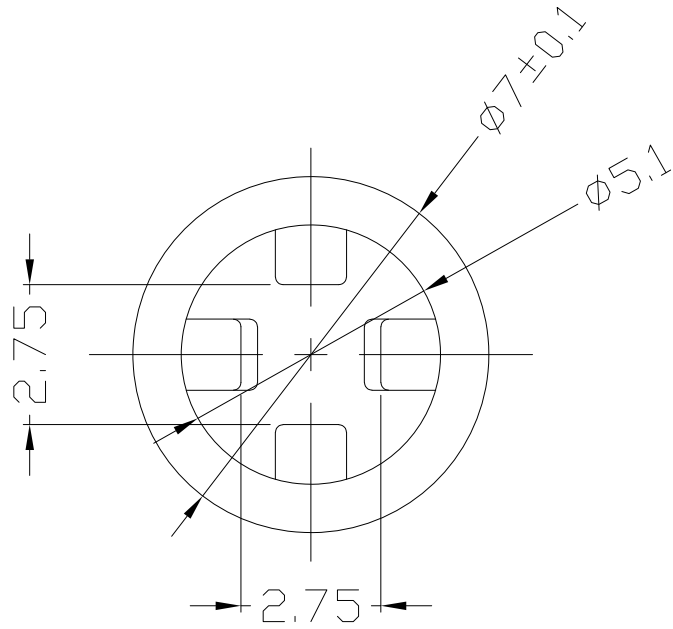
REV.	ECN. NO.	APPD.

MODEL CODE

281-04R-□

CAP Color	
B	BLACK
W	WHITE
□	ORANGE
R	RED

DIMENSIONS



8					WITHIN 10mm: ±0.05mm	UNITS mm	雅安科技有限公司 ACCURATE INNOTECH INC.				
7					OVER 10mm: ±0.1mm	MAT'L					TITLE: CAP (FOR Knob 2.8x2.8)
6						SEE NOTE	DR: <i>Ricky</i> 2018/11/27	DWG NO.: ADS-281-04R			
5						FINISH	CHKD: <i>Ricky</i> 2018/11/27	SCALE	SHEET	REV.	CUSTOMER
4						SEE NOTE	APPD:	1:1	1/1	A	DRAWING
3											
2											
1	CAP	ABS	1	BLACK/WHITE/ORANGE/RED	Q'TY	FINISHING	THESE DRAWINGS AND SPECIFICATIONS ARE THE PROPERTY OF ACCURATE INNOTECH INC AND SHALL NOT BE REPRODUCED, COPIED OR USED IN ANY MANNER WITHOUT THE PRIOR WRITTEN CONSENT OF ACCURATE INNOTECH INC.				
NO.	PARTS	MATERIAL	Q'TY	FINISHING							