



RoHS
Compliant
2002/95/EC

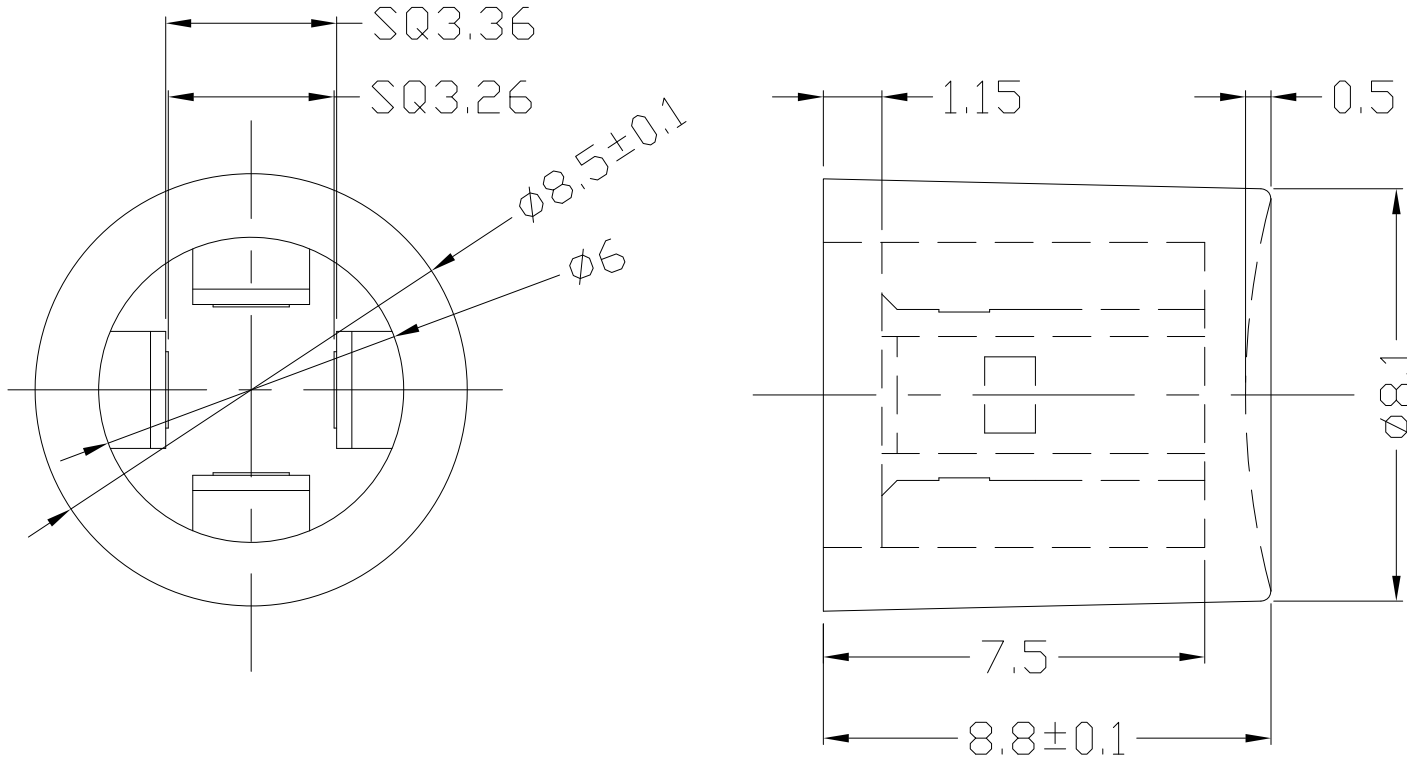
REV.	ECN.	NO.	APPD.

MODEL CODE

331-02R-□

CAP Color	
B	BLACK
W	WHITE
□	ORANGE
R	RED

DIMENSIONS



8					WITHIN 10mm: ± 0.05 mm	UNITS mm	雅安科技有限公司 ACCURATE INNOTECH INC.				
7					OVER 10mm: ± 0.1 mm	MAT'L					TITLE: CAP (FOR Knob 3.3x3.3)
6						SEE NOTE	DR: Ricky 2018/11/27	DWG NO.: ADS-331-02R			
5						FINISH	CHKD: Ricky 2018/11/27	SCALE 1:1	SHEET 1/1	REV. A	CUSTOMER DRAWING
4						SEE NOTE	APPD:				
3						Q'TY					
2					THESE DRAWINGS AND SPECIFICATIONS ARE THE PROPERTY OF ACCURATE INNOTECH INC AND SHALL NOT BE REPRODUCED, COPIED OR USED IN ANY MANNER WITHOUT THE PRIOR WRITTEN CONSENT OF ACCURATE INNOTECH INC.						
1	CAP	ABS	1	BLACK/WHITE/ORANGE/RED							
NO.	PARTS	MATERIAL	Q'TY	FINISHING							