



RoHS
Compliant
2002/95/EC

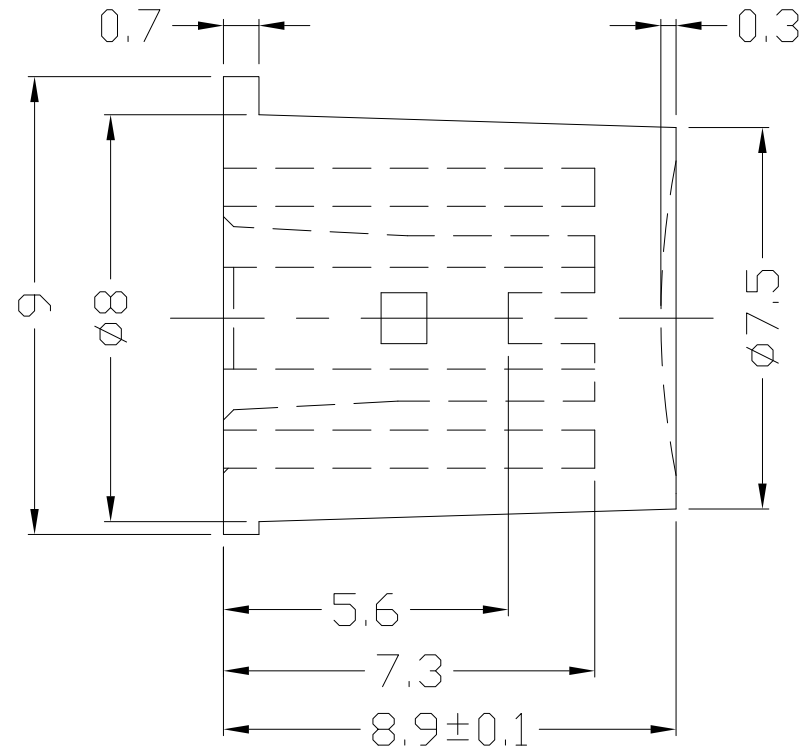
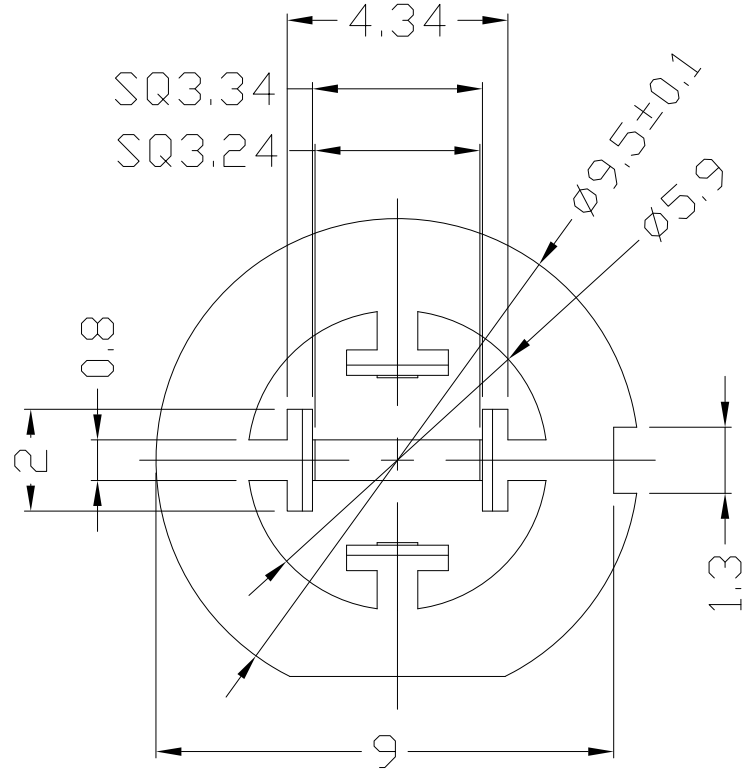
REV.	ECN.	NO.	APPD.

MODEL CODE

332-05R-□

CAP Color	
B	BLACK
W	WHITE
□	ORANGE
R	RED

DIMENSIONS



8					WITHIN 10mm: ±0.05mm	UNITS mm	雅安科技有限公司 ACCURATE INNOTECH INC.			
7					OVER 10mm: ±0.1mm	MAT'L				
6						SEE NOTE	DR: Ricky 2018/11/27		DWG NO.: ADS-332-05R	
5						FINISH	CHKD: Ricky 2018/11/27		SCALE: 1:1	
4						SEE NOTE	APPD:		REV. A	
3						Q'TY	1:1		CUSTOMER DRAWING	
2							THESE DRAWINGS AND SPECIFICATIONS ARE THE PROPERTY OF ACCURATE INNOTECH INC AND SHALL NOT BE REPRODUCED, COPIED OR USED IN ANY MANNER WITHOUT THE PRIOR WRITTEN CONSENT OF ACCURATE INNOTECH INC.			
1	CAP	ABS	1	BLACK/WHITE/ORANGE/RED						
NO.	PARTS	MATERIAL	Q'TY	FINISHING						