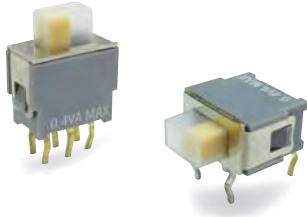


# 5SE Series

Sub-Miniature Slide Switches(Washable)



## SPECIFICATIONS

**CONTACT RATING:** Max 0.4 VA max @ 48 VAC or DC

**MECHANICAL LIFE:** minimum 40,000 operations.

**CONTACT RESISTANCE:** 50 mΩ max.

**INSULATION RESISTANCE:** 500 MΩ at 250 VDC.

**DIELECTRIC STRENGTH:** 500V, 50 Hz for the duration of 1 minute.

**OPERATING TEMPERATURE:** -20°C to 80°C.

**DEGREE OF PROTECTION:** IP67

## MATERIALS

**ACTUATOR:** PBT,yellow std.

**HOUSING/SWITCH SUPPORT:** Brass, Ni plated.

**CASE:** Glass filled nylon 6/6, flame retardant,heat stabilized (UL94v-0)

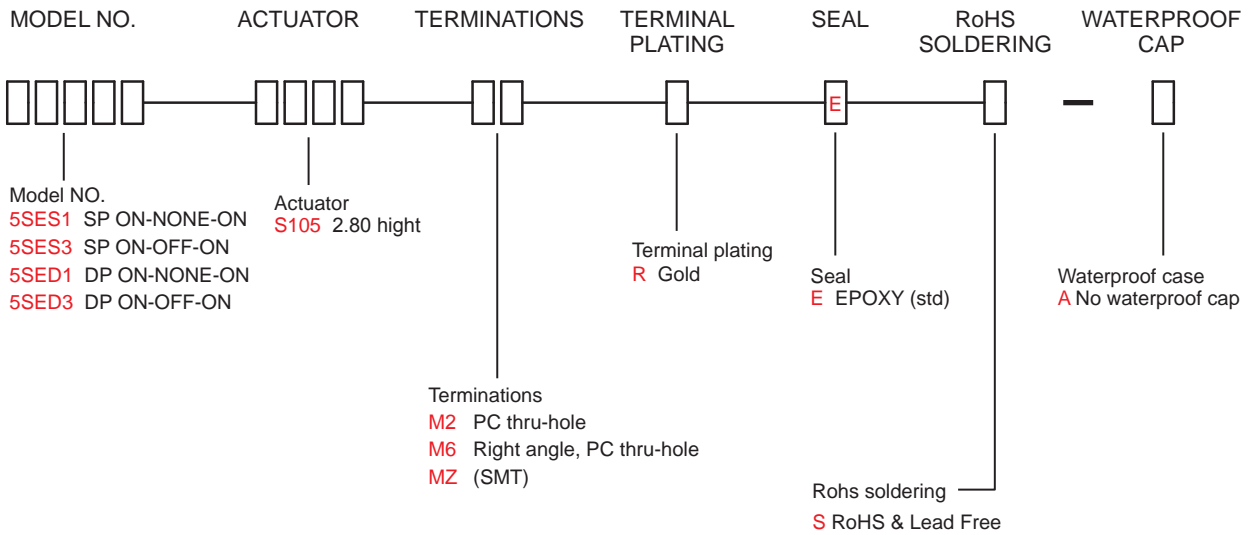
**CONTACT:** Phosphor bronze gold - plated over nickel barrier.

**TERMINALS:** Brass,gold plated.

**TERMINAL SEAL:** Epoxy



## HOW TO ORDER



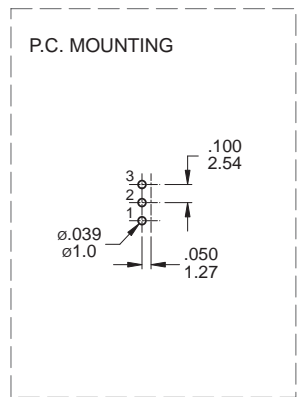
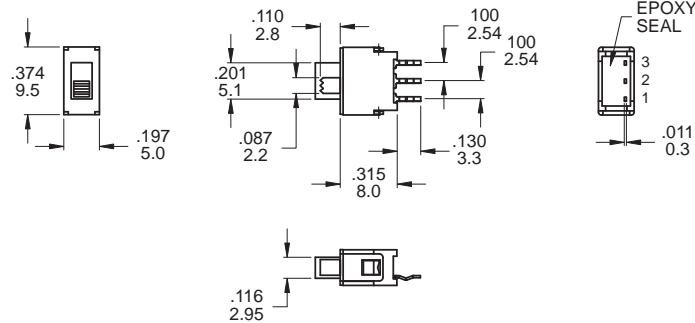
5SE  
Slide Switches

## SWITCH FUNCTION

NO. POLES	MODEL NO.	SWITCH FUNCTION			CONNECTED TERMINALS / SCHEMATIC		
		POS.1	POS.2	POS.3	POS.1	POS.2	POS.3
SP	5SES1	ON	NONE	ON	2-1	N/A	2-3
	5SES3	ON	OFF	ON	2 (COMM) 1-2-3	OPEN	2 (COMM) 1-2-3
DP	5SED1	ON	NONE	ON	2-1,5-4	N/A	2-3,5-6
	5SED3	ON	OFF	ON	2 (COMM) 1-2-3 4-5-6	OPEN	2 (COMM) 1-2-3 4-5-6

## POLE OPTIONS

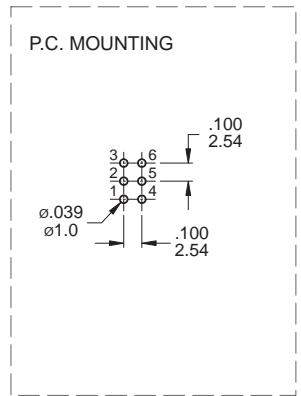
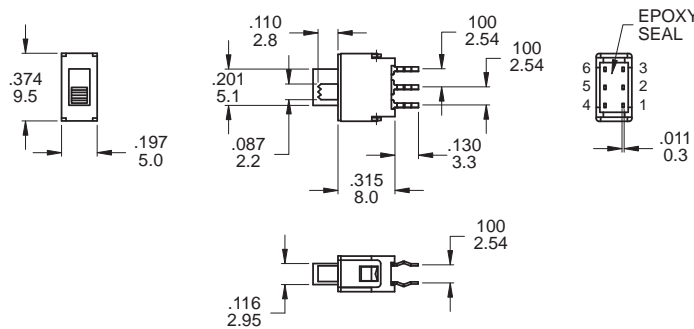
### M2



### SPDT

Part No. Shown : 5SES1S105M2RES

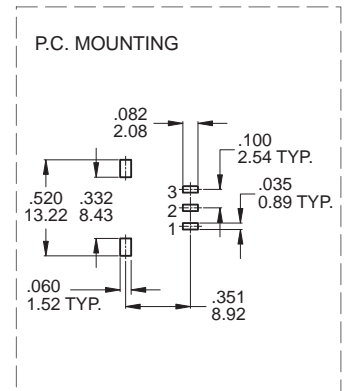
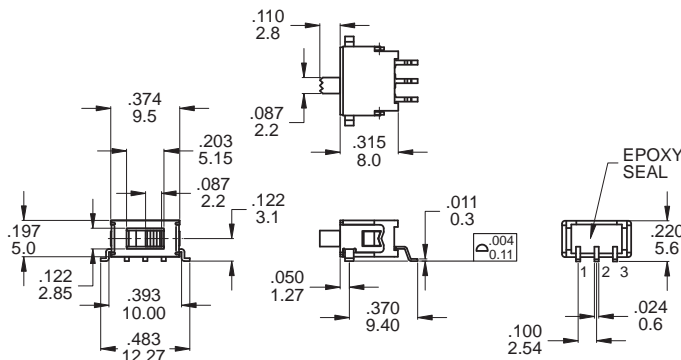
### M2



### DPDT

Part No. Shown : 5SED1S105M2RES

### MZ



Actuator & Case:FR52

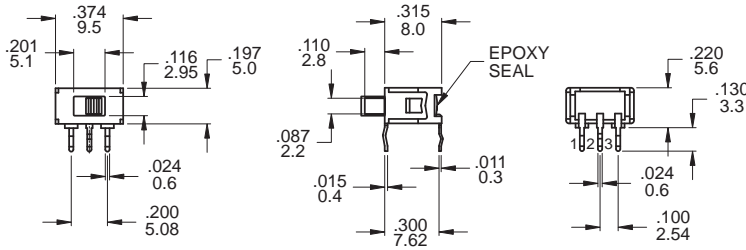
### SPDT

Part No. Shown : 5SES1S105MZRES-A

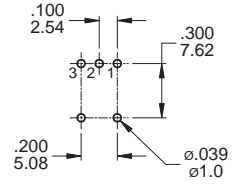
# 5SE Series

Sub-Miniature Slide Switches(Washable)

M6



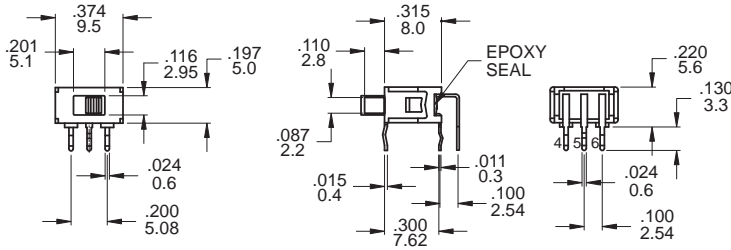
P.C. MOUNTING



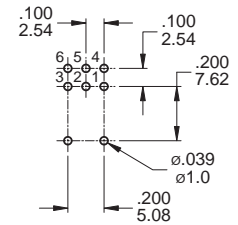
SPDT

Part No. Shown : 5SES1S105M6RES

M6



P.C. MOUNTING



DPDT

Part No. Shown : 5SED1S105M6RES

## SOLDERING PROCESSES

WAVE SOLDERING: Recommended Soldering Temperature:  $260 \pm 5^\circ\text{C}$

Duration of Solder Immersion: Max 5 sec. (PCB is 1.6mm in thickness)