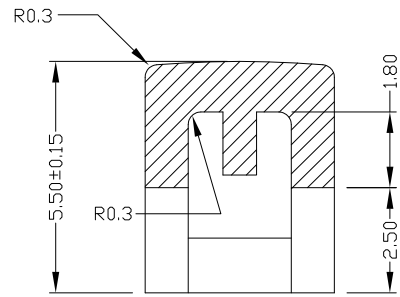
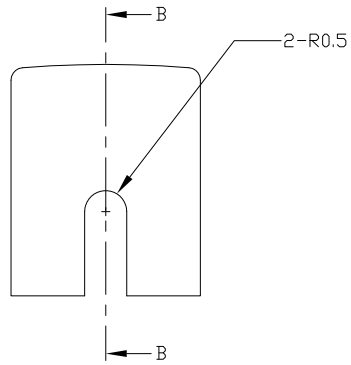




RoHS
Compliant
2002/95/EC

REV.	ECN. NO.	APPD.



SECTION B-B

MODEL CODE:

6073R-□

R=CIRCULAR(圓形)

COLOR:

Y=YELLOW(黃色)

B=BLUE(藍色)

R=RED(紅色)

I=IVORY(象牙色)

K=BLACK(黑色)

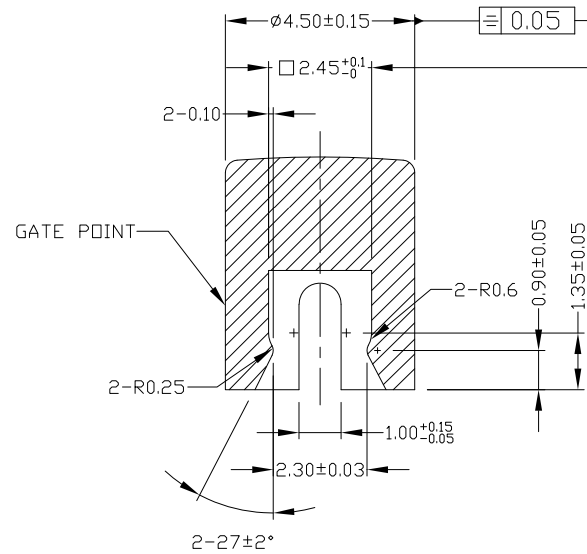
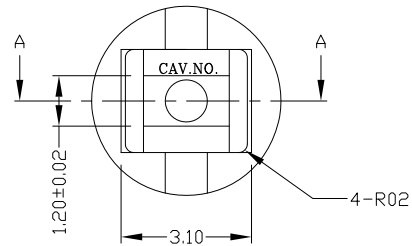
G=GREEN(綠色)

S=SALMON(橙色)

Ge=GREY(灰色)

*OPERATION TEMPERATURE RANGE : -40°C~+85°C

*STORAGE TEMPERATURE RANGE : -40°C~+85°C



SECTION A-A

NOTE:

1.General Tolerance : ±0.05mm MAX.

NO	PARTS	MATERIAL	QTY	UNITS	MAT'L	FINISH	Q'TY	DR:	CHKD:	APPD:	TITLE:	PART NO.:	DWG NO.:	SCALE	SHEET	REV.	CUSTOMER DRAWING
1	CAP	ABS	1	mm	SEE NOTE	SEE NOTE	SEE NOTE	2014/04/18	2014/04/18		CAP (FOR 1102T)	6073R	ATD-6073R	1:1	1/1	A	
THESE DRAWINGS AND SPECIFICATIONS ARE THE PROPERTY OF ACCURATE INNOTECH INC AND SHALL NOT BE REPRODUCED, COPIED OR USED IN ANY MANNER WITHOUT THE PRIOR WRITTEN CONSENT OF ACCURATE INNOTECH INC.																	

雅安科技有限公司
ACCURATE INNOTECH INC.

DR: Ricky 2014/04/18
CHKD: Ricky 2014/04/18

PART NO.: 6073R
DWG NO.: ATD-6073R
SCALE: 1:1
SHEET: 1/1
REV.: A
CUSTOMER DRAWING