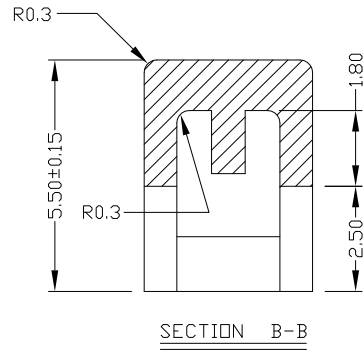
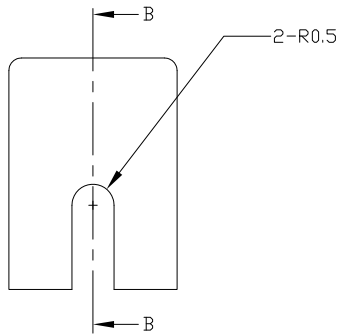




RoHS
Compliant
2002/95/EC

REV.	ECN. NO.	APPD.



MODEL CODE:

6073S-□

S=SQUARE(方形)

COLOR:

Y=YELLOW(黄色)

B=BLUE(蓝色)

R=RED(红色)

I=IVORY(象牙色)

K=BLACK(黑色)

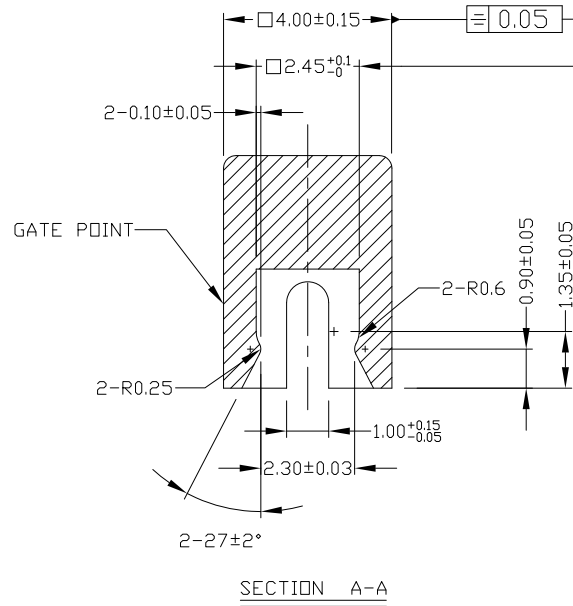
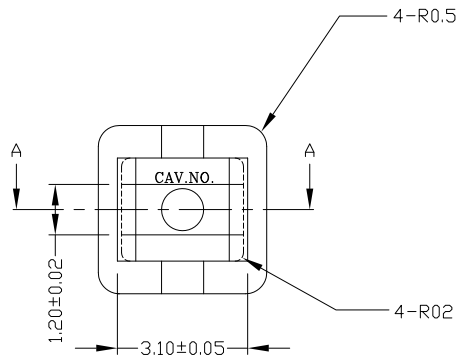
G=GREEN(绿色)

S=SALMON(橙色)

Ge=GREY(灰色)

*OPERATION TEMPERATURE RANGE : -40°C~+85°C

*STORAGE TEMPERATURE RANGE : -40°C~+85°C



NOTE:

1.General Tolerance : ±0.05mm MAX.

						UNITS mm	雅安科技有限公司 ACCURATE INNOTECH INC.				
						MAT'L SEE NOTE					TITLE: CAP (FOR 1102T)
						FINISH SEE NOTE	DR: <i>Ricky</i> 2014/04/18	DWG NO.: ATD-6073S			
1	CAP	ABS	1			Q'TY	CHKD: <i>Ricky</i> 2014/04/18	SCALE 1:1	SHEET 1/1	REV. A	CUSTOMER DRAWING
NO	PARTS	MATERIAL	QTY								

THESE DRAWINGS AND SPECIFICATIONS ARE THE PROPERTY OF ACCURATE INNOTECH INC AND SHALL NOT BE REPRODUCED, COPIED OR USED IN ANY MANNER WITHOUT THE PRIOR WRITTEN CONSENT OF ACCURATE INNOTECH INC.

