



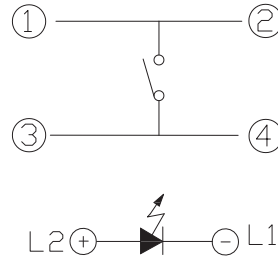
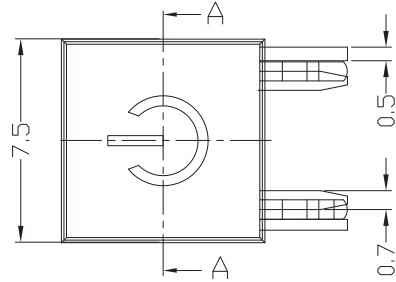
RoHS  
Compliant  
2002/95/EC

REV.	ECN. NO.	APPD.

MODEL CODE

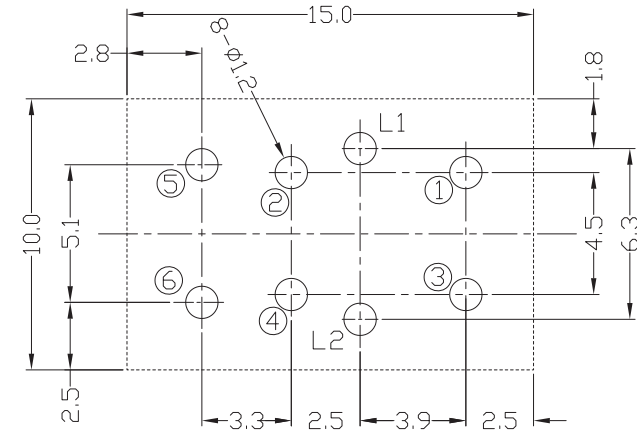
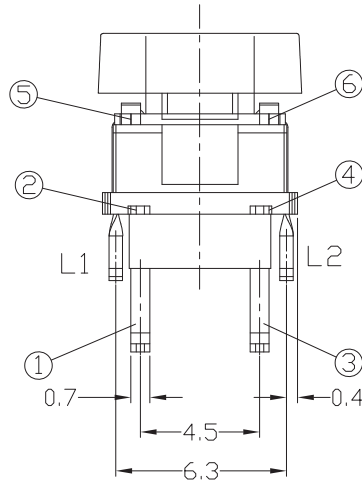
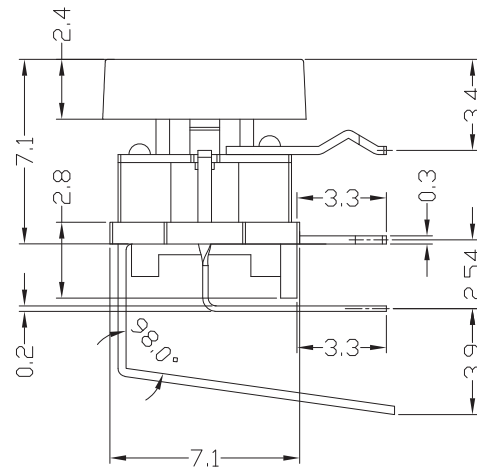
ATI-009-DW16-\*\*\*P-000-91F\*-\*\*  
1 2 3 4 5 6 7 8 9 10 11

DIMENSIONS



SCHMATIC

- Series Number
- Terminal Type: D=Dip M=SMT
- Stem Color: W=White B=Black
- Operating Force: 16=160gf 25=250gf
- LED Color: 01=Red 02=Yellow 03=Green  
04=Blue 05=White 06=Pure Green  
08=Amber 09=Blue Green  
0A=Pink 0B=Purple
- LED Appearance: P=Flat
- HOUSING: 00=Without
- HOUSING Color: 0=Without B=Black
- CAP Code
- CAP Color: B=Black S=Silver
- Laser Engraving Pattern: 00=Without  
01=Power Symbol  
02=Power  
03=Reset



P.C.B LAYOUT

BOTTOM VIEW

NO.	PARTS	MATERIAL	Q'TY	FINISHING	WITHIN 1.5mm: ±0.2mm	OVER 1.5mm: ±0.3mm	UNITS	雅安科技有限公司 ACCURATE INNOTECH INC.			
8		ABS	1				mm	TITLE: ILLUMINATED TACT SWITCH+CAP		PART NO.: ATI-009-DXX-XXP-000-91FX-XX	
7	CAP	ABS	1				MAT'L	DR: <i>Ricky</i> 2022/05/20		DWG NO.: AZJ-009-D-91F	
6	LED		1				SEE NOTE	CHKD: <i>Ricky</i> 2022/05/20		SCALE SHEET REV. CUSTOMER	
5	CONTACT	PBS	1	Ag CLAD			FINISH	APPD:		5:1 1/1 A DRAWING	
4	TERMINAL	BRASS STRIP	4	Ag PLATED			SEE NOTE				
3	BASE	PA66	1	BLACK			Q'TY				
2	COVER	PET	1	NATURAL							
1	KNOB	PA66	1	WHITE							

THESE DRAWINGS AND SPECIFICATIONS ARE THE PROPERTY OF ACCURATE INNOTECH INC AND SHALL NOT BE REPRODUCED, COPIED OR USED IN ANY MANNER WITHOUT THE PRIOR WRITTEN CONSENT OF ACCURATE INNOTECH INC.