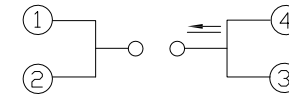
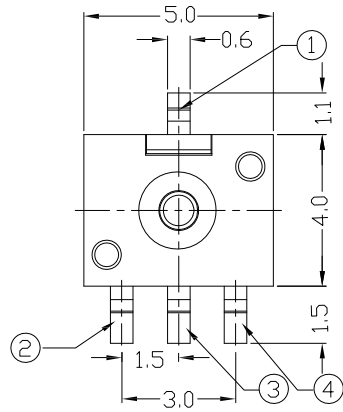




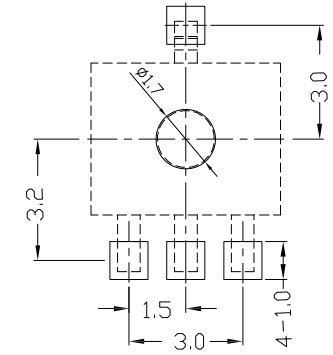
RoHS  
Compliant  
2002/95/EC

REV.	ECN.	NO.	APPD.

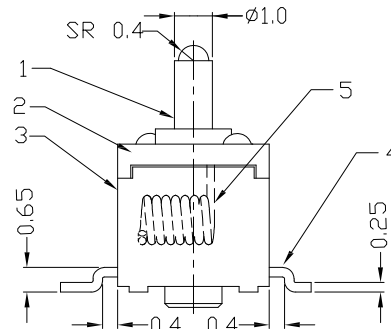
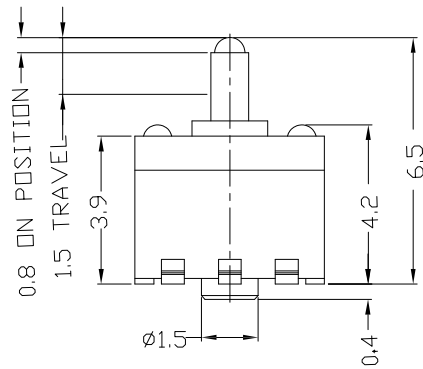
DIMENSIONS



CIRCUIT DIAGRAM



P.C.B. LAYOUT



ELECTRO-MECHANICAL CHARACTERISTICS

Refer to additional specifications

Rating	DC 30V 0.1A
Contact Resistance	1Ω Max.
Travel	1.5±0.2mm
Operating Force	80±30gf
Operating Life(cycles)	50,000

NO.	PARTS	MATERIAL	Q'TY	FINISHING
7				
6				
5	CONTACT SPING	SUS	1	Ag PLATED
4	TERMINAL	BRASS	4	Ag PLATED
3	CASE	PA6T	1	BLACK
2	COVER	PA6T	1	BLACK
1	KNOB	PA6T	1	BLACK

GENERAL TOLERANCE	UNITS mm
WITHIN 1.5mm±0.1mm	MAT'L
OVER 1.5mm±0.2mm	SEE NOTE
	FINISH
	SEE NOTE
THESE DRAWINGS AND SPECIFICATIONS ARE THE PROPERTY OF ACCURATE INNOTECH INC AND SHALL NOT BE REPRODUCED, COPIED OR USED IN ANY MANNER WITHOUT THE PRIOR WRITTEN CONSENT OF ACCURATE INNOTECH INC.	Q'TY

SEE NOTE
SEE NOTE
SEE NOTE

雅安科技有限公司 ACCURATE INNOTECH INC.			
TITLE:	PART NO.:		
DETECTOR SWITCH	AD-1140		
DR: Ricky 2020/05/11	DWG NO.:		
CHKD: Ricky 2020/05/11	AZJ-1140		
APPD:	SCALE	SHEET	REV.
	6:1	1/1	A
			CUSTOMER DRAWING