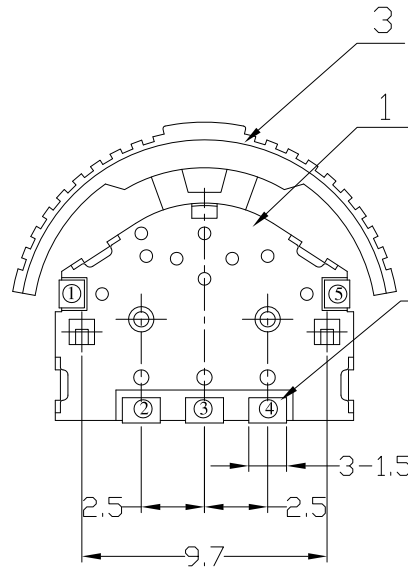
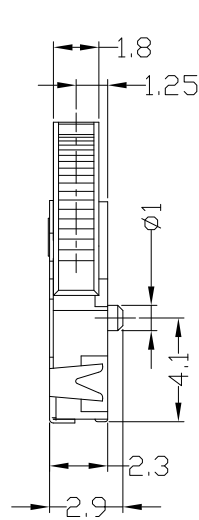
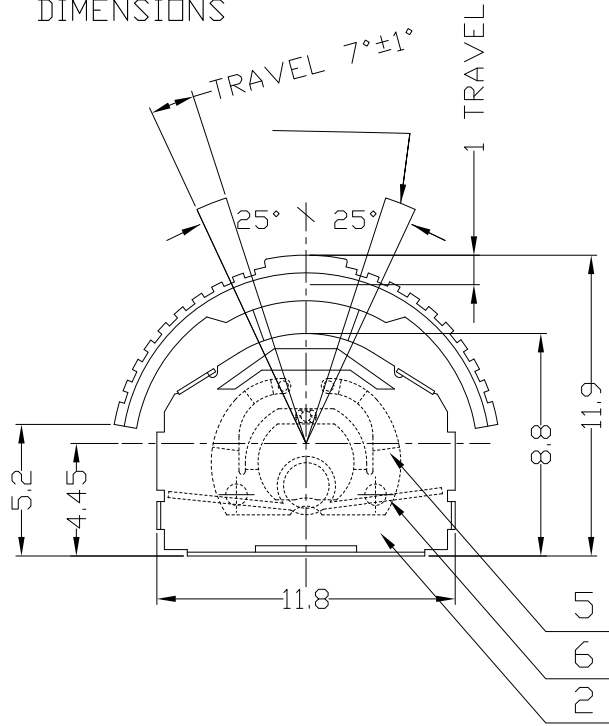




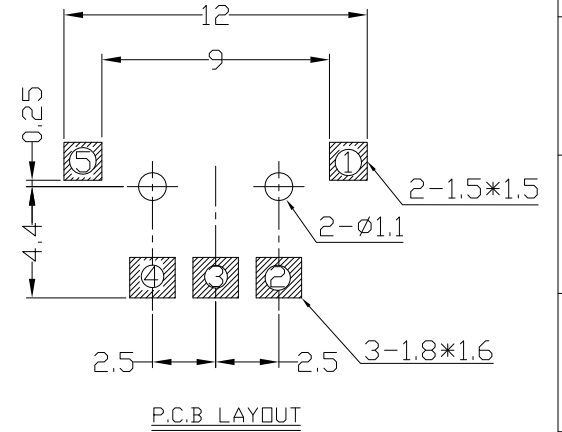
RoHS Compliant  
2002/95/EC

| REV. | ECN. NO. | APPD. |
|------|----------|-------|
|      |          |       |
|      |          |       |

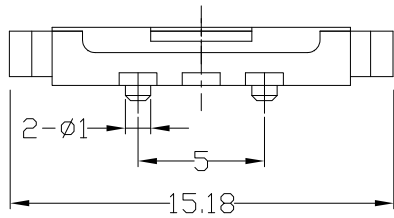
DIMENSIONS



CIRCUIT DIAGRAM



P.C.B LAYOUT



Mounting knob integrated type cable (■ =  $\phi N$ )

| Angle    | 25°   | 0° | 25°   |
|----------|-------|----|-------|
| Terminal | (18°) |    | (18°) |
| 2        | ■     |    |       |
| 4        |       |    | ■     |
| 3        | ■     |    |       |

ELECTRO-MECHANICAL CHARACTERISTICS

Refer to additional specifications

|                        |                    |                |
|------------------------|--------------------|----------------|
| Rating                 | DC 30V 0.1mA       |                |
| Contact Resistance     | 100m $\Omega$ Max. |                |
| Travel                 | Push               | 1.0mm Min.     |
|                        | Lever              | 80 $\pm$ 30gf  |
| Operating Force        | Push               | 180 $\pm$ 50gf |
|                        | Lever              | 80 $\pm$ 30gf  |
| Operating Life(cycles) | 100,000            |                |

| NO. | PARTS    | MATERIAL | Q'TY | FINISHING |
|-----|----------|----------|------|-----------|
| 7   |          |          |      |           |
| 6   | SPRING   | SUS      | 1    | NATURAL   |
| 5   | CONTACT  | PBS      | 1    | Ag PLATED |
| 4   | TERMINAL | PBS      | 1    | Ag PLATED |
| 3   | KNOB     | PA6T     | 1    | BLACK     |
| 2   | COVER    | SUS      | 1    | NATURAL   |
| 1   | CASE     | PA6T     | 1    | BLACK     |

| GENERAL TOLERANCE        | UNITS |
|--------------------------|-------|
| WITHIN 1.5mm $\pm$ 0.1mm | mm    |
| OVER 1.5mm $\pm$ 0.2mm   |       |

THESE DRAWINGS AND SPECIFICATIONS ARE THE PROPERTY OF ACCURATE INNOTECH INC AND SHALL NOT BE REPRODUCED, COPIED OR USED IN ANY MANNER WITHOUT THE PRIOR WRITTEN CONSENT OF ACCURATE INNOTECH INC.

| 雅安科技有限公司<br>ACCURATE INNOTECH INC. |                      |       |                  |
|------------------------------------|----------------------|-------|------------------|
| TITLE:<br>PUSH LEVER SWITCH        | PART NO.:<br>AL-1305 |       |                  |
| DR: Ricky 2020/05/12               | DWG NO.:<br>AZJ-1305 |       |                  |
| CHKD: Ricky 2020/05/12             | SCALE                | SHEET | REV.             |
| APPD:                              | 4:1                  | 1/1   | A                |
|                                    |                      |       | CUSTOMER DRAWING |