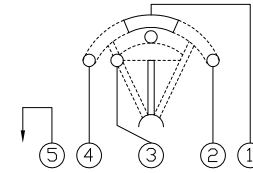
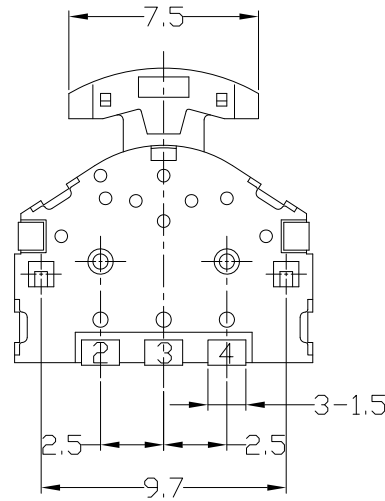
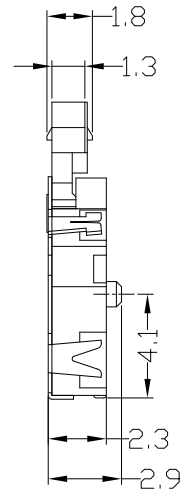
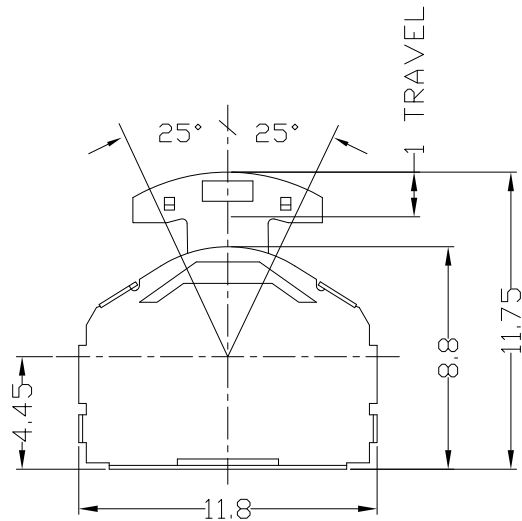




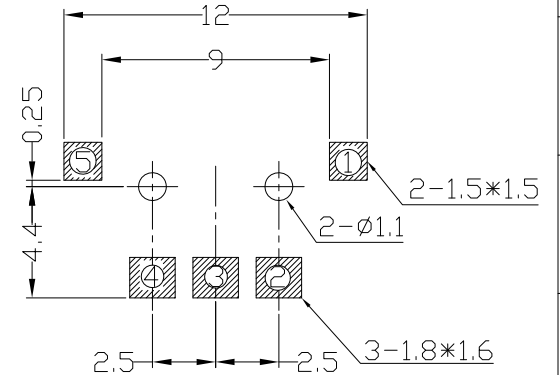
RoHS Compliant  
2002/95/EC

REV.	ECN. NO.	APPD.

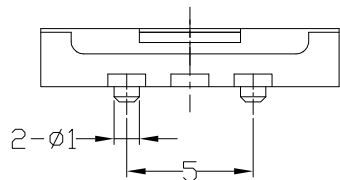
DIMENSIONS



CIRCUIT DIAGRAM



P.C.B LAYOUT



Mounting knob integrated type cable (■ = ØN)

Angle	25°	0°	25°
Terminal	(18°)		
2			
4			
3			

ELECTRO-MECHANICAL CHARACTERISTICS

Refer to additional specifications

Rating	DC 30V 0.1mA	
Contact Resistance	100mΩ Max.	
Travel	Push	1.0mm Min.
Operating Force	Push	180±50gf
	Lever	80±30gf
Operating Life(cycles)	100,000	

NO.	PARTS	MATERIAL	Q'TY	FINISHING
7				
6	SPRING	SUS	1	NATURAL
5	CONTACT	PBS	1	Ag PLATED
4	TERMINAL	PBS	1	Ag PLATED
3	KNOB	PA6T	1	BLACK
2	COVER	SUS	1	NATURAL
1	CASE	PA6T	1	BLACK

GENERAL TOLERANCE UNITS mm  
 WITHIN 1.5mm±0.1mm MAT'L  
 OVER 1.5mm±0.2mm SEE NOTE  
 FINISH SEE NOTE  
 Q'TY  
 THESE DRAWINGS AND SPECIFICATIONS ARE THE PROPERTY OF ACCURATE INNOTECH INC AND SHALL NOT BE REPRODUCED, COPIED OR USED IN ANY MANNER WITHOUT THE PRIOR WRITTEN CONSENT OF ACCURATE INNOTECH INC.

雅安科技有限公司 ACCURATE INNOTECH INC.			
TITLE: PUSH LEVER SWITCH		PART NO.: AL-1305A	
DR: Ricky 2020/05/12		DWG NO.: AZJ-1305A	
CHKD: Ricky 2020/05/12		SCALE 4:1	SHEET 1/1
APPD:		REV. A	CUSTOMER DRAWING