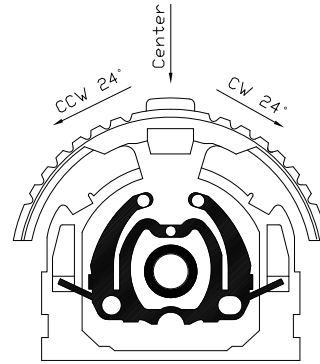
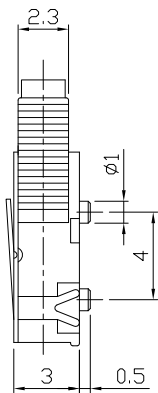
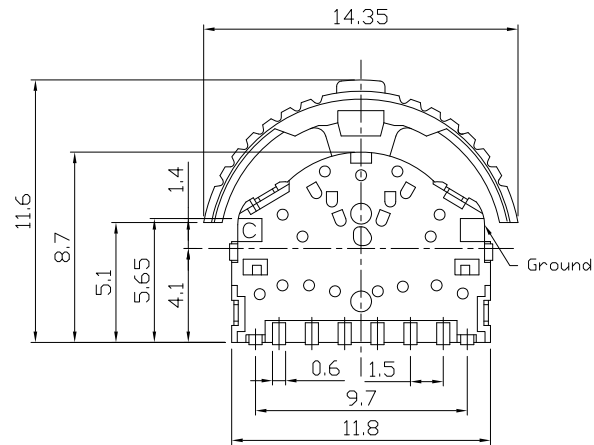




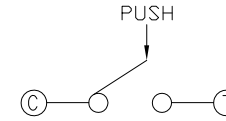
RoHS
Compliant
2002/95/EC

REV.	ECN. NO.	APPD.

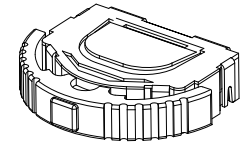
DIMENSIONS



CIRCUIT DIAGRAM



PRODUCT IMAGE



CODE TABLE

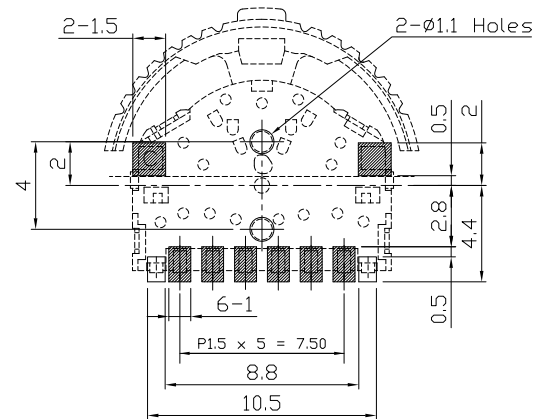
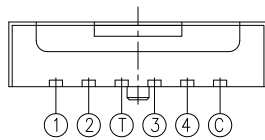
CODE TABLE (Hatched = ON)

Terminal	25° (24°)	0° (11°)	25° (24°)
①	Hatched		
②			
③			Hatched
④			Hatched
⑤	Hatched		Hatched

CCW ← → CW

P.C.B MOUNTING PATTERN DIMENSION

The following soldering patterns are recommended for reflow soldering



ELECTRO-MECHANICAL CHARACTERISTICS

Refer to additional specifications

Rating	DC 5V 10mA	
Output Voltage	1V Min. at 5V 1mA	
Operating Force	Lever	70±50gf
	Center	200±100gf
Travel	Lever	25°
	Center	0.7mm
Operating Life(cycles)	100,000	

.X ±0.2

X. ±2°

UNITS mm

MAT'L

SEE NOTE

FINISH

SEE NOTE

Q'TY

SEE NOTE

SEE NOTE

SEE NOTE

雅安科技有限公司
ACCURATE INNOTECH INC.

TITLE:
PUSH LEVER SWITCH

PART NO.:
AL-1512 SERIES

DR: Ricky 2014/04/02

DWG NO.:
ASI-1512

CHKD: Ricky 2014/04/02

APPD:

SCALE	SHEET	REV.	CUSTOMER
1:1	1/1	A	DRAWING

THESE DRAWINGS AND SPECIFICATIONS ARE THE PROPERTY OF ACCURATE INNOTECH INC AND SHALL NOT BE REPRODUCED, COPIED OR USED IN ANY MANNER WITHOUT THE PRIOR WRITTEN CONSENT OF ACCURATE INNOTECH INC.

