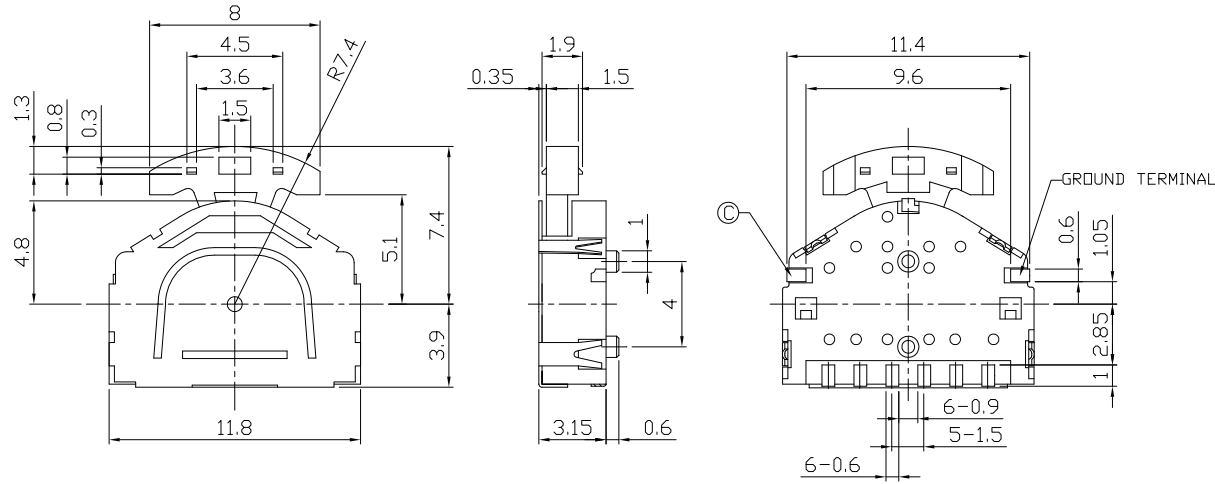




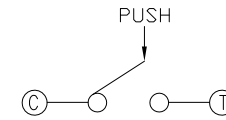
RoHS
Compliant
2002/95/EC

REV.	ECN. NO.	APPD.

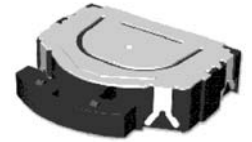
DIMENSIONS



CIRCUIT DIAGRAM



PRODUCT IMAGE



CODE TABLE

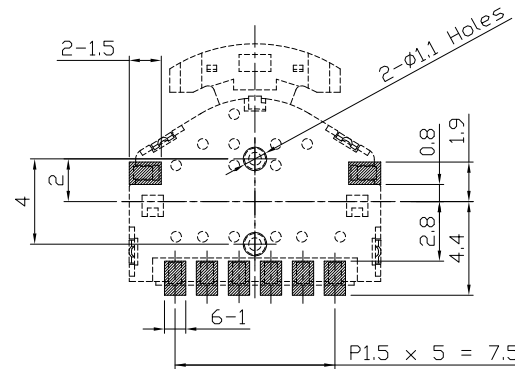
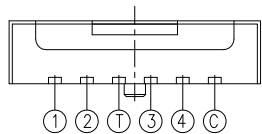
CODE TABLE (Hatched = ON)

Angle	25°	0°	25°
Terminal	(21.5°)	(11°)	(11°)
①	Hatched		
②	Hatched		
③			Hatched
④			Hatched
⑤	Hatched	Hatched	Hatched

CCW ← → CW

P.C.B MOUNTING PATTERN DIMENSION

The following soldering patterns are recommended for reflow soldering



ELECTRO-MECHANICAL CHARACTERISTICS

Refer to additional specifications

Rating	DC 5V 10mA	
Output Voltage	1V Min. at 5V 1mA	
Operating Force	Lever	70±50gf
	Center	200±100gf
Travel	Lever	25°
	Center	0.7mm
Operating Life(cycles)	100,000	

.X ±0.2 X. ±2° UNITS mm MAT'L SEE NOTE FINISH SEE NOTE Q'TY

THESE DRAWINGS AND SPECIFICATIONS ARE THE PROPERTY OF ACCURATE INNOTECH INC AND SHALL NOT BE REPRODUCED, COPIED OR USED IN ANY MANNER WITHOUT THE PRIOR WRITTEN CONSENT OF ACCURATE INNOTECH INC.

雅安科技有限公司 ACCURATE INNOTECH INC.			
TITLE: PUSH LEVER SWITCH		PART NO.: AL-1512A SERIES	
DR: Ricky 2014/04/02		DWG NO.: ASI-1512A	
CHKD: Ricky 2014/04/02		SCALE	SHEET
APPD:		1:1	1/1
		REV.	CUSTOMER DRAWING
		A	