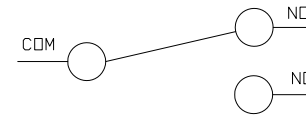
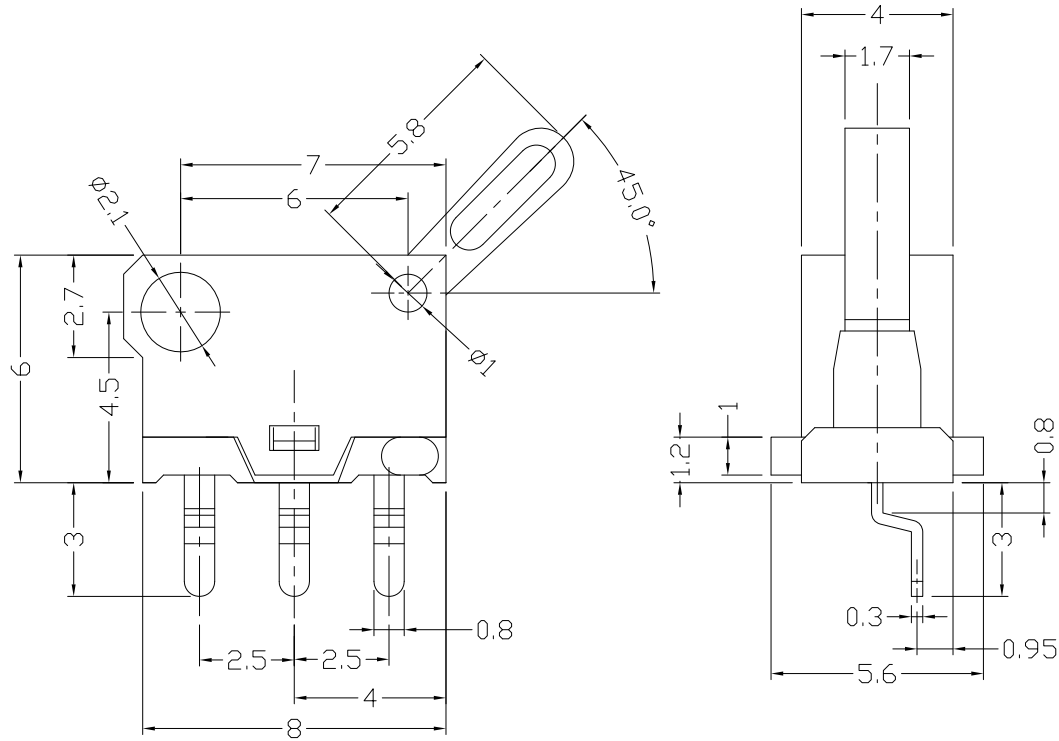




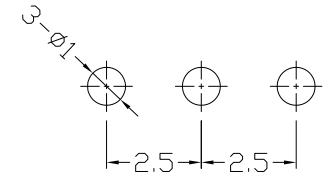
RoHS  
Compliant  
2002/95/EC

REV.	ECN.	NO.	APPD.

DIMENSIONS



CIRCUIT DIAGRAM



P.C.B. LAYOUT

ELECTRO-MECHANICAL CHARACTERISTICS

Refer to additional specifications

Rating	DC 30V 0.1A
Circuit	1P-2T
Contact Resistance	50m $\Omega$ Max.
Operating Force	80gf Max.
Operating Life(cycles)	50,000

7	CONTACT	PBS C5210R-EH	1	Ag CLAD
6	TERMINAL	BRASS STRIP	3	Ag PLATED
5	SPRING	SUS	1	NATURAL
4	BAR	PBT	1	BLACK
3	CASE	PA66	1	BLACK
2	COVER	PA66	1	BLACK
1	KNOB	PA66	1	BLACK
NO.	PARTS	MATERIAL	Q'TY	FINISHING

GENERAL TOLERANCE	UNITS mm
WITHIN 1.5mm $\pm$ 0.1mm	MAT'L SEE NOTE
OVER 1.5mm $\pm$ 0.2mm	FINISH SEE NOTE
THESE DRAWINGS AND SPECIFICATIONS ARE THE PROPERTY OF ACCURATE INNOTECH INC AND SHALL NOT BE REPRODUCED, COPIED OR USED IN ANY MANNER WITHOUT THE PRIOR WRITTEN CONSENT OF ACCURATE INNOTECH INC.	Q'TY

SEE NOTE
SEE NOTE
Q'TY

雅安科技有限公司 ACCURATE INNOTECH INC.			
TITLE: MICRO SWITCH		PART NO.: AM-001A	
DR: Ricky 2020/05/11		DWG NO.: AZJ-001A	
CHKD: Ricky 2020/05/11		SCALE	SHEET
APPD:		4:1	1/1
REV.	A	CUSTOMER	DRAWING