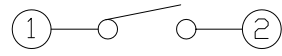
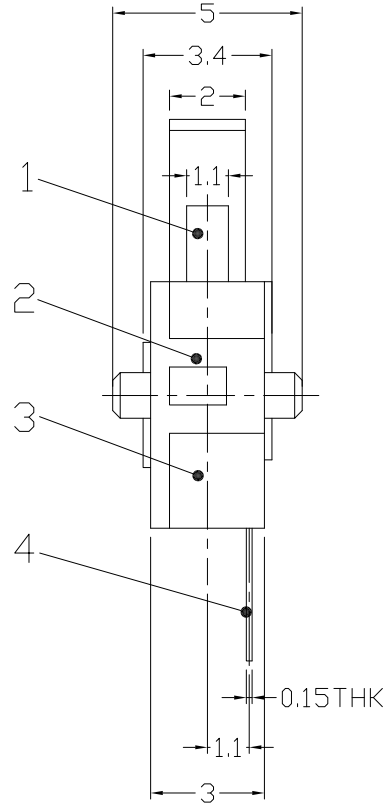
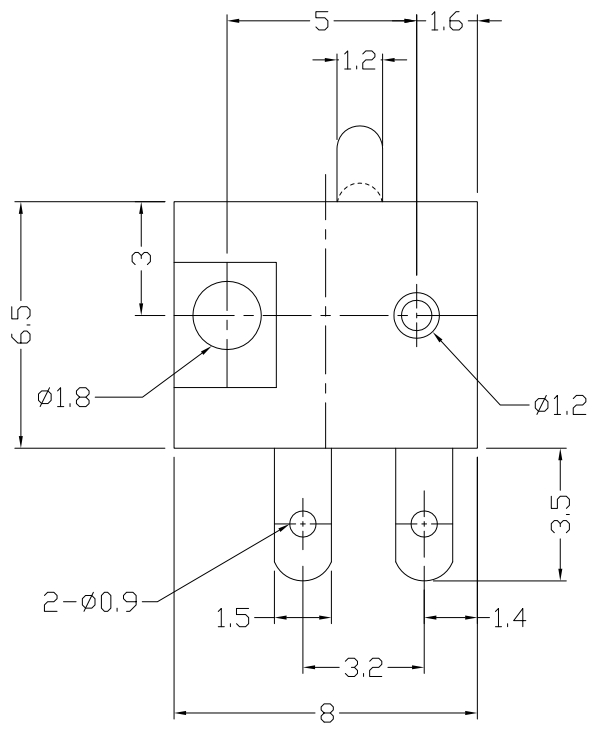




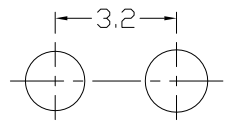
**RoHS Compliant**  
2002/95/EC

REV.	ECN. NO.	APPD.

**DIMENSIONS**



CIRCUIT DIAGRAM



P.C.B. LAYOUT

**ELECTRO-MECHANICAL CHARACTERISTICS**  
Refer to additional specifications

Rating	DC 30V 0.1A
Circuit	1P-1T
Contact Resistance	50mΩ Max.
Operating Force	100±50gf
Operating Life(cycles)	100,000

7					
6					
5	SPRING	STEEL WIRE	1	NI PLATED	
4	TERMINAL	PBS	2	Ag PLATED	
3	CASE	PA	1	BLACK	
2	COVER	POM/PA	1	BLACK	
1	KNOB	POM	1	BLACK	
NO.	PARTS	MATERIAL	Q'TY	FINISHING	

GENERAL TOLERANCE UNITS mm  
 WITHIN 1.5mm±0.1mm MAT'L  
 OVER 1.5mm±0.2mm SEE NOTE  
 FINISH SEE NOTE  
 Q'TY

**雅安科技有限公司**  
**ACCURATE INNOTECH INC.**

TITLE:	MICRO SWITCH	PART NO.:	AM-1202
DR:	Ricky 2020/05/11	DWG NO.:	AZJ-1202
CHKD:	Ricky 2020/05/11	SCALE	5:1
APPD:		SHEET	1/1
		REV.	A
		CUSTOMER DRAWING	

THESE DRAWINGS AND SPECIFICATIONS ARE THE PROPERTY OF ACCURATE INNOTECH INC AND SHALL NOT BE REPRODUCED, COPIED OR USED IN ANY MANNER WITHOUT THE PRIOR WRITTEN CONSENT OF ACCURATE INNOTECH INC.

