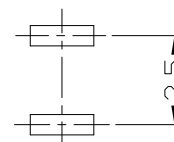
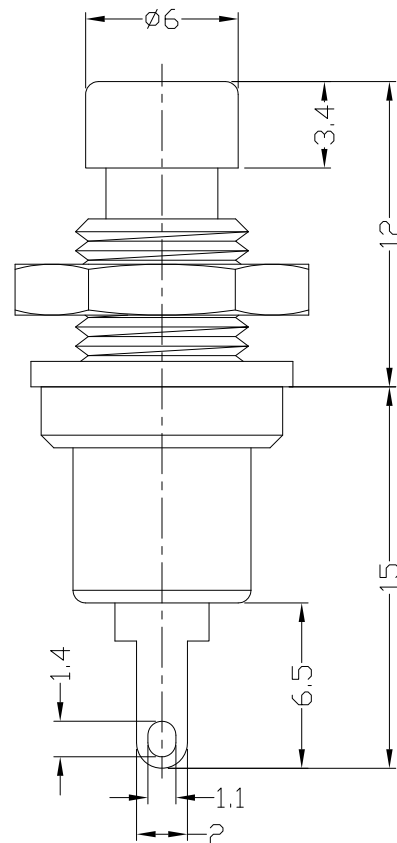
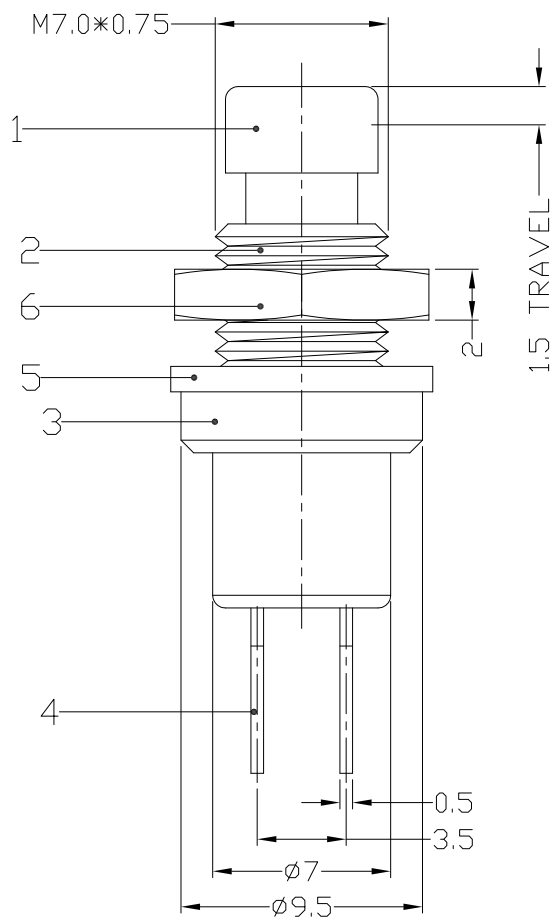




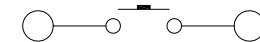
RoHS
Compliant
2002/95/EC

REV.	ECN. NO.	APPD.

DIMENSIONS



P.C.B LAYOUT
BOTTOM VIEW



CIRCUIT DIAGRAM

ELECTRO-MECHANICAL CHARACTERISTICS

Refer to additional specifications

RATING	0.3A 50V DC
CIRCUIT	1P1T
CONTACT RESISTANCE	30mΩ MAX.
TIMING	NON-SHORTING
TRAVEL	1.5mm
OPERATING FORCE	200±100gf
OPERATING LIFE(cycles)	10,000

9					WITHIN 1.5mm: ±0.1mm	UNITS mm	雅安科技有限公司 ACCURATE INNOTECH INC.			
8	CONTACT	BRASS STRIP	1	Ag PLATED	OVER 1.5mm: ±0.2mm	MAT'L				
7	SPRING	SUS WIRE	1	NATURAL		SEE NOTE	TITLE:	PART NO.:		
6	NUT	BRASS STRIP	1	Ni PLATED		SEE NOTE	PUSHBUTTON SWITCH (with Nut & Washer)	AP-11C02		
5	SPRING WASHER	SPRING COIL STEEL	1	Ni PLATED		FINISH	DR: <i>Ricky</i> 2017/05/15	DWG NO.:		
4	TERMINAL	BRASS STRIP	2	Ag PLATED		Q'TY	CHKD: <i>Ricky</i> 2017/05/15	AZJ-11C02		
3	CASE	PBT	1	BLACK/RED		APPD:	SCALE	SHEET	REV.	CUSTOMER
2	SOCKET	BRASS	1	Ni PLATED			3:1	1/1	A	DRAWING
1	KNOB	PC	1	BLACK/RED						
NO.	PARTS	MATERIAL	Q'TY	FINISHING						

THESE DRAWINGS AND SPECIFICATIONS ARE THE PROPERTY OF ACCURATE INNOTECH INC AND SHALL NOT BE REPRODUCED, COPIED OR USED IN ANY MANNER WITHOUT THE PRIOR WRITTEN CONSENT OF ACCURATE INNOTECH INC.

