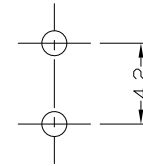
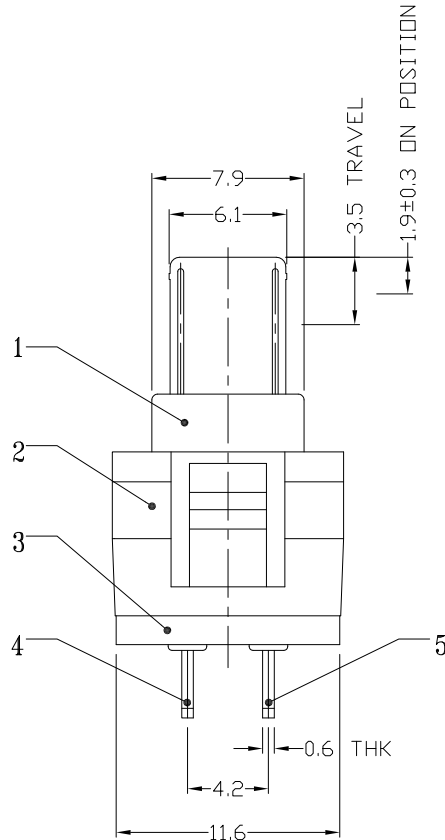
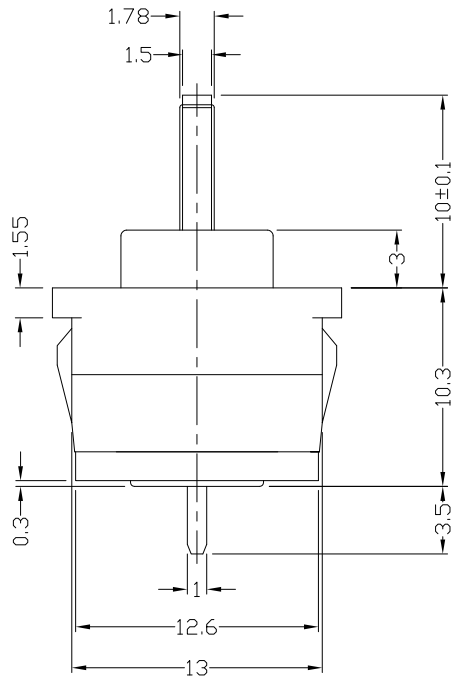
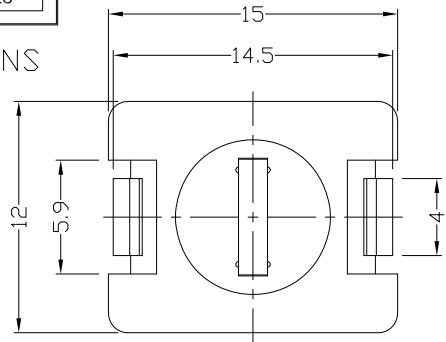




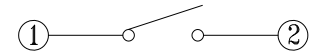
RoHS
Compliant
2002/95/EC

REV.	ECN.	NO.	APPD.

DIMENSIONS



P.C.B LAYOUT
BOTTOM VIEW



CIRCUIT DIAGRAM

ELECTRO-MECHANICAL CHARACTERISTICS
Refer to additional specifications

RATING	DC30V 0.1A
CIRCUIT	1P1T
CONTACT RESISTANCE	30mΩ MAX.
TIMING	
OPERATING MODE	NON-LOCK
STROKE	FULL 3.5mm ON 1.9±0.3
OPERATING FORCE	100±30gf
OPERATING LIFE(cycles)	10,000

8					WITHIN 1.5mm: ±0.1mm	UNITS mm
7	SPRING	SUS	1	NATURAL	OVER 1.5mm: ±0.2mm	MAT'L
6	CONTACT	SUS	1	Ag<0.5μm>PLATED		SEE NOTE
5	U-TERMINAL	BRASS STRIP	1	Ag<0.5μm> PLATED OVER Ni PLATED		FINISH
4	V-TERMINAL	BRASS STRIP	1	Ag<0.5μm> PLATED OVER Ni PLATED		SEE NOTE
3	CASE	NYLON+F.G	1	BLACK		Q'TY
2	COVER	PC	1	BLACK		
1	KNDB	PDM	1	WHITE		
NO.	PARTS	MATERIAL	Q'TY	FINISHING		

THESE DRAWINGS AND SPECIFICATIONS ARE THE PROPERTY OF ACCURATE INNOTECH INC AND SHALL NOT BE REPRODUCED, COPIED OR USED IN ANY MANNER WITHOUT THE PRIOR WRITTEN CONSENT OF ACCURATE INNOTECH INC.



雅安科技有限公司
ACCURATE INNOTECH INC.

TITLE: PUSH SWITCH / VERTICAL	PART NO.: AP-11E02N
DR: <i>Ricky</i> 2015/03/19	DWG NO.: ADJ-11E02
CHKD: <i>Ricky</i> 2015/03/19	SCALE SHEET REV. CUSTOMER 5:2 1/1 A DRAWING
APPD:	