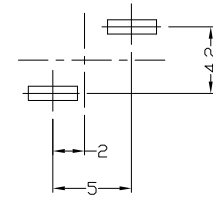
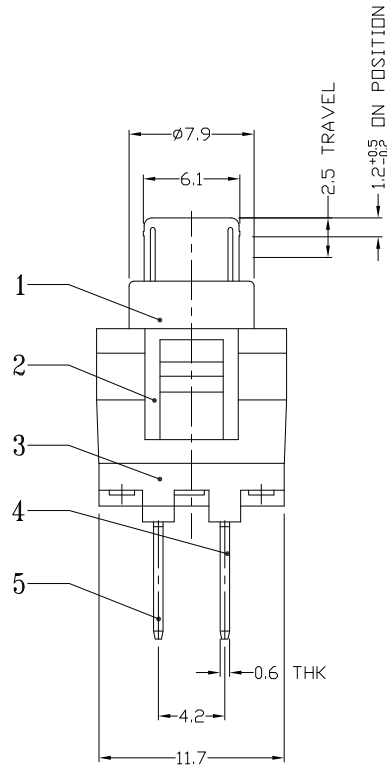
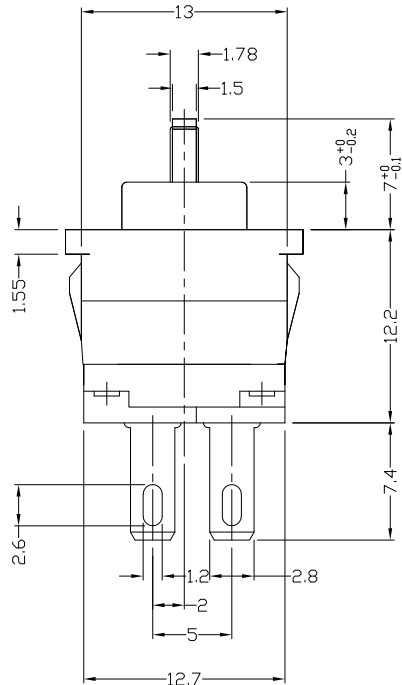
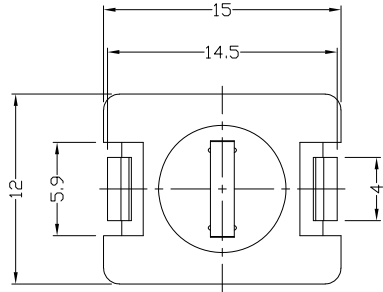




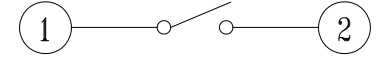
RoHS Compliant
2002/95/EC

REV.	ECN.	NO.	APPD.

DIMENSIONS



P.C.B LAYOUT
TOP VIEW



CIRCUIT DIAGRAM

ELECTRO-MECHANICAL CHARACTERISTICS
Refer to additional specifications

RATING	DC30V 0.1A
CIRCUIT	1P1T
CONTACT RESISTANCE	30mΩ MAX.
TIMING	
OPERATING MODE	NON-LOCK
STROKE	FULL 2.5mm ON 1.2+0.5 -0.2mm
OPERATING FORCE	100±30gf
OPERATING LIFE(cycles)	10,000

8						
7	SPRING	STAINLESS STEEL WIRE	1	NATURAL	WITHIN 1.5mm: ±0.1mm	UNITS mm
6	CONTACT	SUS	1	Ag<0.5μm>PLATED	OVER 1.5mm: ±0.2mm	MAT'L
5	U-TERMINAL	BRASS STRIP	1	Ag<0.5μm> PLATED OVER Ni PLATED		SEE NOTE
4	V-TERMINAL	BRASS STRIP	1	Ag<0.5μm> PLATED OVER Ni PLATED		SEE NOTE
3	CASE	NYLON+F.G	1	BLACK		FINISH
2	COVER	PC	1	BLACK		SEE NOTE
1	KNDB	PDM	1	WHITE		Q'TY
NO.	PARTS	MATERIAL	Q'TY	FINISHING		

THESE DRAWINGS AND SPECIFICATIONS ARE THE PROPERTY OF ACCURATE INNOTECH INC AND SHALL NOT BE REPRODUCED, COPIED OR USED IN ANY MANNER WITHOUT THE PRIOR WRITTEN CONSENT OF ACCURATE INNOTECH INC.

雅安科技有限公司 ACCURATE INNOTECH INC.			
TITLE: PUSH SWITCH / VERTICAL		PART NO.: AP-11E04N	
DR: <i>Ricky</i> 2015/03/19		DWG NO.: ADJ-11E04	
CHKD: <i>Ricky</i> 2015/03/19		SCALE	SHEET
APPD:		2:1	1/1
		REV.	CUSTOMER
		A	DRAWING