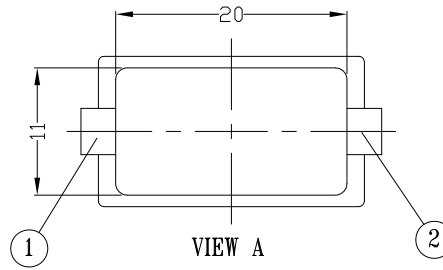
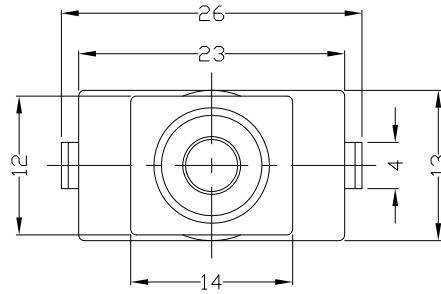




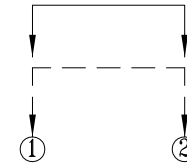
RoHS
Compliant
2002/95/EC

REV.	ECN.	NO.	APPD.

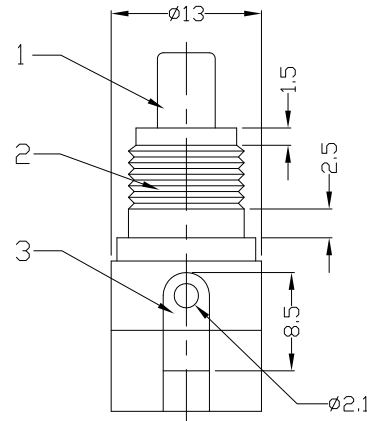
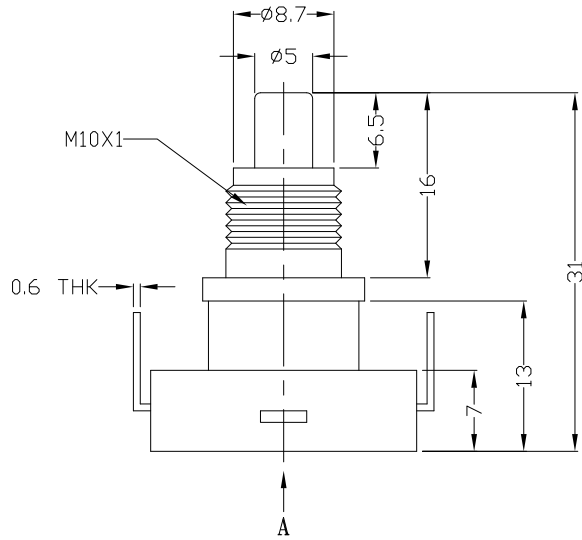
DIMENSIONS



PUSH



CIRCUIT DIAGRAM



ELECTRO-MECHANICAL CHARACTERISTICS

Refer to additional specifications

RATING	DC30V 1A
CIRCUIT	1P1T
CONTACT RESISTANCE	100mΩ MAX.
TIMING	
OPERATING MODE	SELF-LOCK
OPERATING FORCE	800±200gf
OPERATING LIFE(cycles)	10,000

NO.	PARTS	MATERIAL	Q'TY	FINISHING
9	SPRING C	SUS WIRE	1	NATURAL
8	SPRING B	SUS WIRE	1	NATURAL
7	SPRING A	SUS WIRE	1	NATURAL
6	CONTACT	BRASS STRIP	1	Ag PLATED OVER Ni PLATED
5	SLIDER	PDM	1	BLACK
4	BASE	PDM	1	BLACK
3	TERMINAL	BRASS STRIP	2	Ag PLATED OVER Ni PLATED
2	HOUSING	PDM	1	BLACK
1	KNDB	PDM	1	BLACK
NO.	PARTS	MATERIAL	Q'TY	FINISHING

WITHIN 1.5mm: ±0.1mm

OVER 1.5mm: ±0.2mm

THESE DRAWINGS AND SPECIFICATIONS ARE THE PROPERTY OF ACCURATE INNOTECH INC AND SHALL NOT BE REPRODUCED, COPIED OR USED IN ANY MANNER WITHOUT THE PRIOR WRITTEN CONSENT OF ACCURATE INNOTECH INC.

UNITS mm

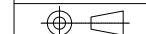
MAT'L

SEE NOTE

FINISH

SEE NOTE

Q'TY



雅安科技有限公司
ACCURATE INNOTECH INC.

TITLE:
PUSH SWITCH / VERTICAL

PART NO.:
AP-11G01L

DR: *Ricky* 2014/05/06

DWG NO.:
ADJ-11G01

CHKD: *Ricky* 2014/05/06

APPD:

SCALE	SHEET	REV.	CUSTOMER
3:2	1/1	A	DRAWING