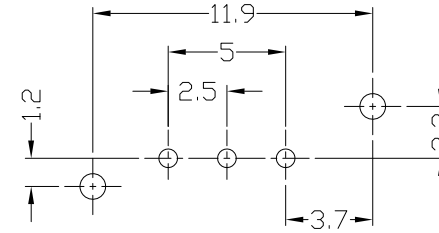
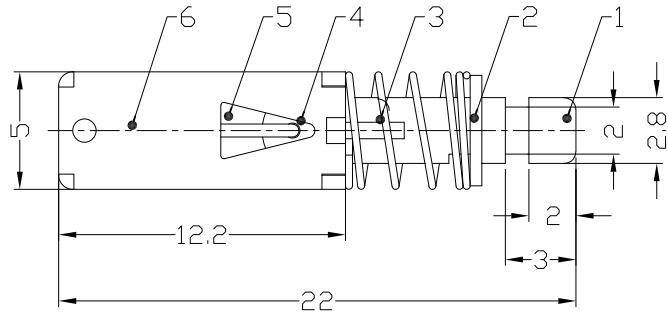




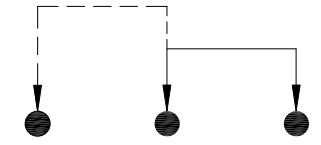
RoHS  
Compliant  
2002/95/EC

REV.	ECN.	NO.	APPD.

DIMENSIONS



P.C.B LAYOUT

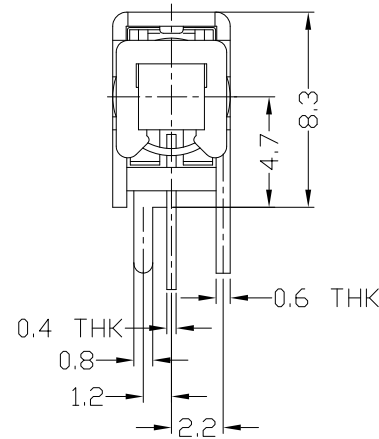
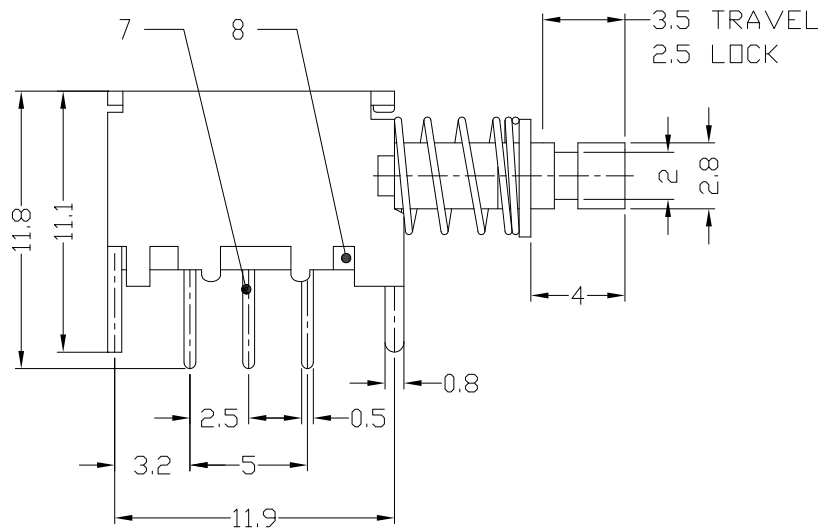


CIRCUIT DIAGRAM

ELECTRO-MECHANICAL CHARACTERISTICS

Refer to additional specifications

RATING	DC50V 0.3A	
CIRCUIT	1P2T	
CONTACT RESISTANCE	30mΩ MAX.	
TIMING	NON-SHORTING	
OPERATING MODE	SELF-LOCK	AP-12E05L
	NON-LOCK	AP-12E15N
STROKE	FULL 3.5mm	LOCK 2.5mm
OPERATING FORCE	250±100gf	
OPERATING LIFE(cycles)	10,000	



NO.	PARTS	MATERIAL	Q'TY	FINISHING
8	TERMINAL	BRASS STRIP	3	Ag PLATED OVER Ni PLATED
7	BASE	PHENOLIC RESIN	1	NATURAL
6	FRAME	STEEL STRIP	1	Ni PLATED
5	LOCK NEEDLE	PBS WIRE	1	NATURAL
4	SPRING PLATE	PBS STRIP	1	NATURAL
3	SPRING	STAINLESS STEEL	1	TEMPER
2	BLOCK	STEEL STRIP	1	Ni PLATED
1	KNOB	PDM	1	BLUE

WITHIN 1.5mm: ±0.1mm	UNITS mm
OVER 1.5mm: ±0.2mm	MAT'L SEE NOTE
THESE DRAWINGS AND SPECIFICATIONS ARE THE PROPERTY OF ACCURATE INNOTECH INC AND SHALL NOT BE REPRODUCED, COPIED OR USED IN ANY MANNER WITHOUT THE PRIOR WRITTEN CONSENT OF ACCURATE INNOTECH INC.	FINISH SEE NOTE
	Q'TY

SEE NOTE
SEE NOTE
Q'TY

<b>雅安科技有限公司</b> <b>ACCURATE INNOTECH INC.</b>			
TITLE: PUSH SWITCH / HORIZONTAL		PART NO.: AP-12E05L & AP-12E15N	
DR: <i>Ricky</i> 2014/05/06		DWG NO.: ADJ-12E0515	
CHKD: <i>Ricky</i> 2014/05/06		SCALE	SHEET
APPD:		3:1	1/1
REV.	A	CUSTOMER	DRAWING