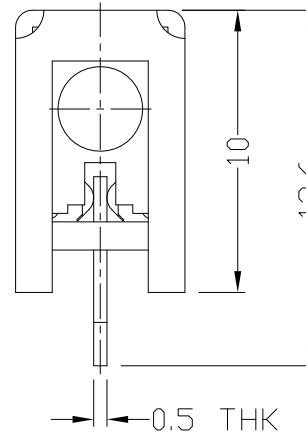
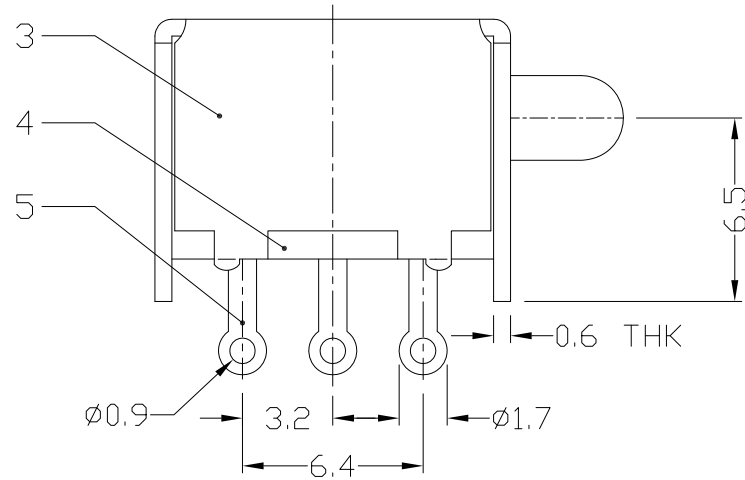
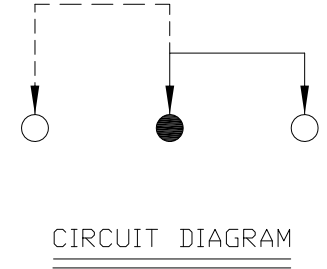
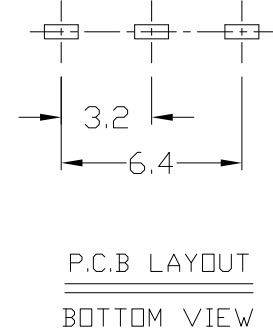
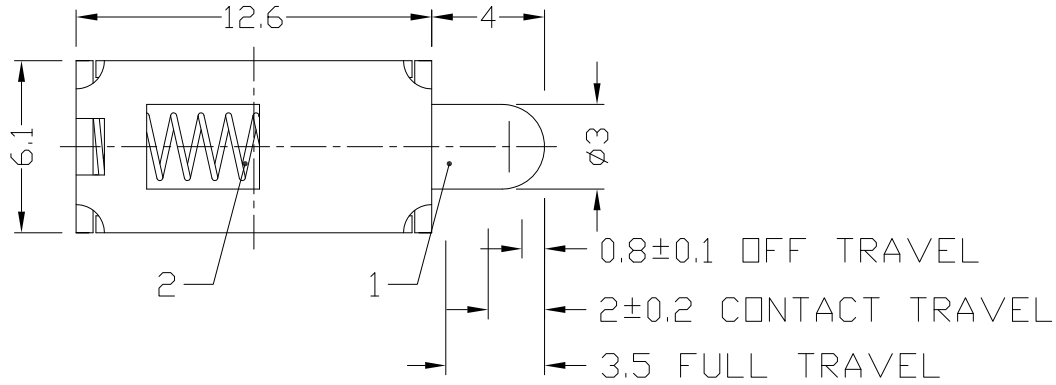




RoHS  
Compliant  
2002/95/EC

| REV. | ECN. | NO. | APPD. |
|------|------|-----|-------|
|      |      |     |       |
|      |      |     |       |
|      |      |     |       |

DIMENSIONS



ELECTRO-MECHANICAL CHARACTERISTICS  
Refer to additional specifications

|                        |                                      |
|------------------------|--------------------------------------|
| RATING                 | DC50V 0.3A                           |
| CIRCUIT                | 1P2T                                 |
| CONTACT RESISTANCE     | 100mΩ MAX.                           |
| TIMING                 | NON-SHORTING                         |
| OPERATING MODE         | NON-LOCK                             |
| STROKE                 | OFF 0.8±0.1 FULL 3.5mm CONTACT 2±0.2 |
| OPERATING FORCE        | 70±20gf                              |
| OPERATING LIFE(cycles) | 10,000                               |

|     |              |                |      |           |                    |          |
|-----|--------------|----------------|------|-----------|--------------------|----------|
| 8   |              |                |      |           | WITHIN 1.5mm±0.1mm | UNITS mm |
| 7   |              |                |      |           | OVER 1.5mm±0.2mm   | MAT'L    |
| 6   | CONTACT CLIP | PBS STRIP      | 1    | Ag PLATED |                    | SEE NOTE |
| 5   | TERMINAL     | BRASS STRIP    | 3    | Ag PLATED |                    | SEE NOTE |
| 4   | BASE         | PHENDLIC RESIN | 1    | NATURAL   |                    | FINISH   |
| 3   | FRAME        | STEEL STRIP    | 1    | Ni PLATED |                    | SEE NOTE |
| 2   | SPRING       | STEEL WIRE     | 1    | NATURAL   |                    | Q'TY     |
| 1   | KNOB         | POM            | 1    | BLACK     |                    |          |
| NO. | PARTS        | MATERIAL       | Q'TY | FINISHING |                    |          |

THESE DRAWINGS AND SPECIFICATIONS ARE THE PROPERTY OF ACCURATE INNOTECH INC AND SHALL NOT BE REPRODUCED, COPIED OR USED IN ANY MANNER WITHOUT THE PRIOR WRITTEN CONSENT OF ACCURATE INNOTECH INC.

雅安科技有限公司  
ACCURATE INNOTECH INC.

TITLE: PUSH SWITCH / HORIZONTAL PART NO.: AP-12F03-A-N

DR: Ricky 2015/03/30 DWG NO.: ADL-12F03-A

CHKD: Ricky 2015/03/30

APPD:

|       |       |      |          |
|-------|-------|------|----------|
| SCALE | SHEET | REV. | CUSTOMER |
| 3:1   | 1/1   | A    | DRAWING  |