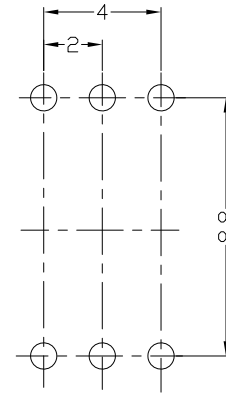
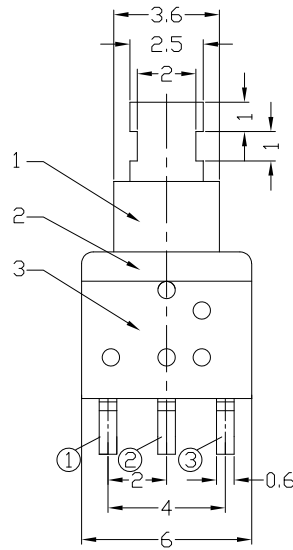
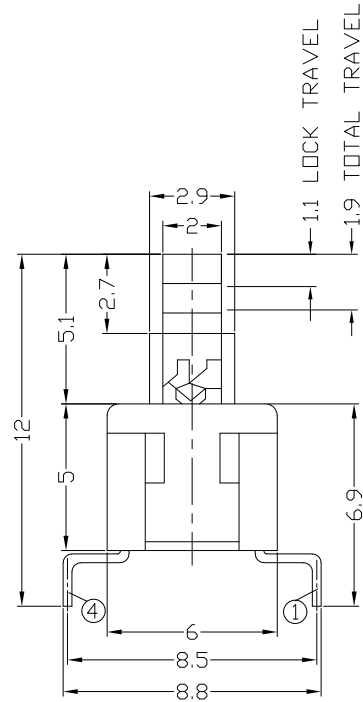




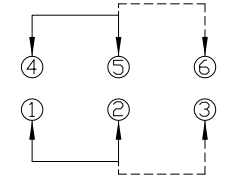
RoHS
Compliant
2002/95/EC

REV.	ECN. NO.	NO.	APPD.

DIMENSIONS



P.C.B. LAYOUT
TOP VIEW



CIRCUIT DIAGRAM

ELECTRO-MECHANICAL CHARACTERISTICS

Refer to additional specifications

RATING	0.2A 12V DC	
CIRCUIT	2P2T	
CONTACT RESISTANCE	100mΩ MAX.	
TIMING	NON-SHORTING	
OPERATING MODE	SELF-LOCK	AP-2216KL
	NON-LOCK	AP-2216KN
STROKE	FULL 1.9mm	LOCK 1.1mm
OPERATING FORCE	200±50gf	
OPERATING LIFE(cycles)	10,000	

NO.	PARTS	MATERIAL	Q'TY	FINISHING
9				
8				
7				
6				
5	SPRING	SUS	1	NATURAL
4	CAM STICK	SUS	1	NATURAL
3	CASE	PPA/BRASS STRIP	1	GREY/Ag PLATED
2	COVER	PPA	1	WHITE
1	KNOB	PPA/PBS C5210R-EH	1	WHITE/Ag CLAD

WITHIN 1.5mm: ±0.1mm
OVER 1.5mm: ±0.2mm

THESE DRAWINGS AND SPECIFICATIONS ARE THE PROPERTY OF ACCURATE INNOTECH INC AND SHALL NOT BE REPRODUCED, COPIED OR USED IN ANY MANNER WITHOUT THE PRIOR WRITTEN CONSENT OF ACCURATE INNOTECH INC.

UNITS	雅安科技有限公司 ACCURATE INNOTECH INC.			
mm	TITLE: PUSH SWITCH / VERTICAL		PART NO.: AP-2216K	
MAT'L	DR: <i>Ricky</i> 2020/05/13		DWG NO.: ADL-2216K	
SEE NOTE	CHKD: <i>Ricky</i> 2020/05/13		SCALE SHEET REV. CUSTOMER 5:1 1/1 A DRAWING	
FINISH	APPD:			
SEE NOTE				
Q'TY				

