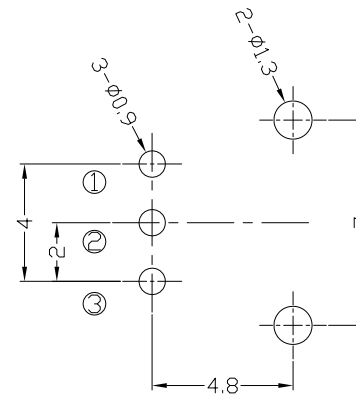
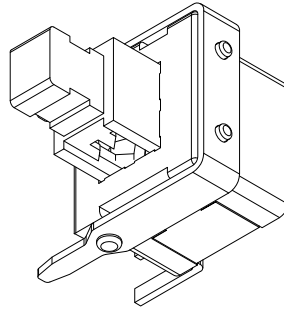
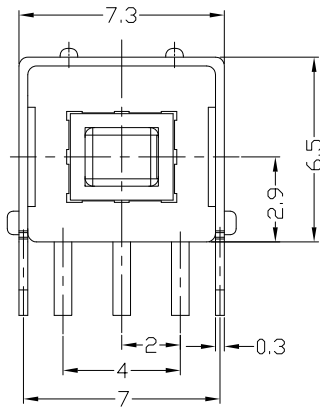




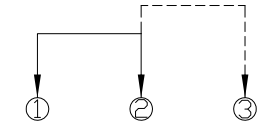
RoHS
Compliant
2002/95/EC

REV.	ECN.	NO.	APPD.

DIMENSIONS



P.C.B LAYOUT

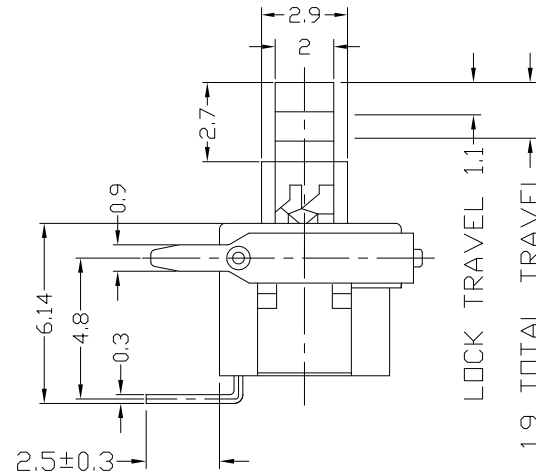
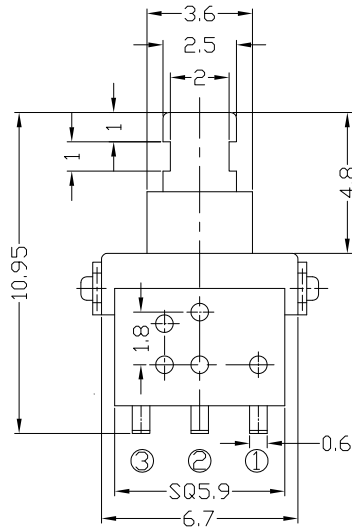


CIRCUIT DIAGRAM

ELECTRO-MECHANICAL CHARACTERISTICS

Refer to additional specifications

RATING	0.2A 12V DC	
CIRCUIT	1P2T	
CONTACT RESISTANCE	100mΩ MAX.	
TIMING	NON-SHORTING	
OPERATING MODE	SELF-LOCK	AP-2216VL
	NON-LOCK	AP-2216VN
STROKE	FULL 1.9mm	LOCK 1.1mm
OPERATING FORCE	200±50gf	
OPERATING LIFE(cycles)	10,000	



NO.	PARTS	MATERIAL	Q'TY	FINISHING
9				
8				
7				
6	CAM STICK	SUS	1	WASHING
5	COVER BUSHING	SUS	1	Sn PLATED
4	SPRING	SUS	1	NATURAL
3	CASE	PPA/BRASS STRIP	1	BLACK
2	COVER	PA9T	1	BLACK
1	KNDB	PPA/PBS C5210R-EH	1	WHITE

WITHIN 1.5mm: ±0.1mm
OVER 1.5mm: ±0.2mm
UNITS mm
MAT'L SEE NOTE
FINISH SEE NOTE
Q'TY
THESE DRAWINGS AND SPECIFICATIONS ARE THE PROPERTY OF ACCURATE INNOTECH INC AND SHALL NOT BE REPRODUCED, COPIED OR USED IN ANY MANNER WITHOUT THE PRIOR WRITTEN CONSENT OF ACCURATE INNOTECH INC.

SEE NOTE
SEE NOTE
Q'TY
UNITS mm
MAT'L SEE NOTE
FINISH SEE NOTE
Q'TY

雅安科技有限公司 ACCURATE INNOTECH INC.			
TITLE: PUSH SWITCH / HORIZONTAL	PART NO.: ADL-2216VL & AP-2216VN		
DR: Ricky 2020/04/24	DWG NO.: ADL-2216V		
CHKD: Ricky 2020/04/24	SCALE 5:1	SHEET 1/1	REV. A
APPD:	CUSTOMER DRAWING		