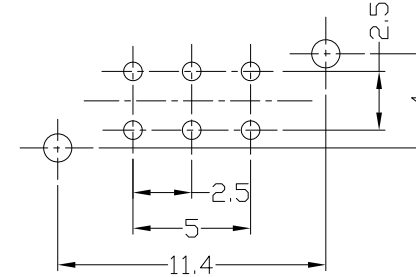
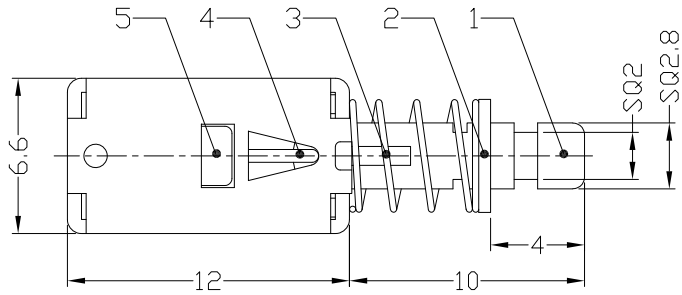




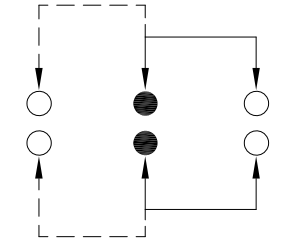
RoHS
Compliant
2002/95/EC

REV.	ECN.	NO.	APPD.

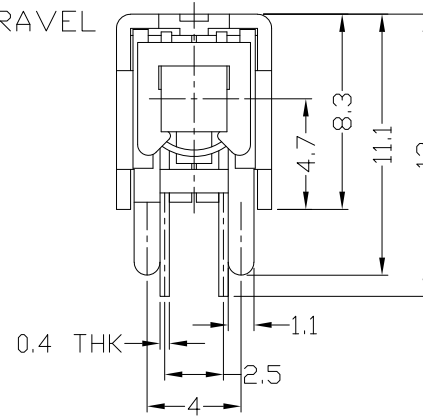
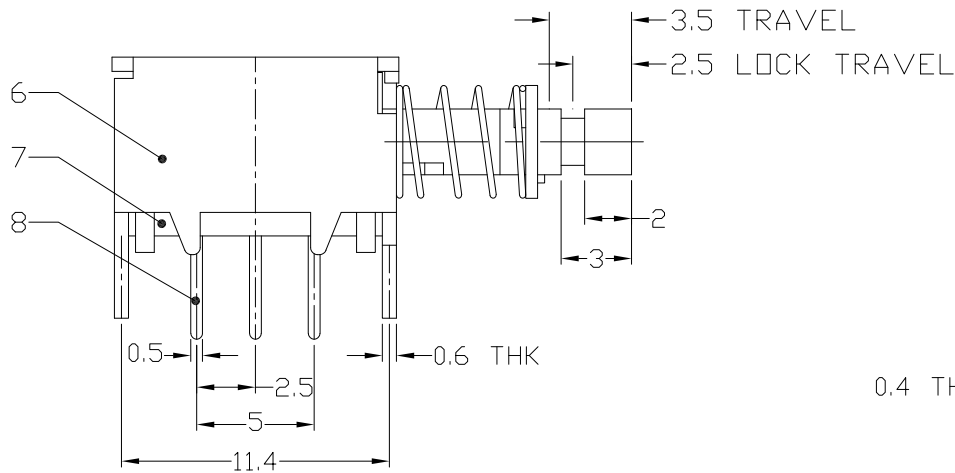
DIMENSIONS



P.C.B LAYOUT
TOP VIEW



CIRCUIT DIAGRAM



ELECTRO-MECHANICAL CHARACTERISTICS

Refer to additional specifications

RATING	DC50V 0.3A	
CIRCUIT	2P2T	
CONTACT RESISTANCE	30mΩ MAX.	
TIMING	NON-SHORTING	
OPERATING MODE	SELF-LOCK	AP-22E05L
	NON-LOCK	AP-22E15N
STROKE	FULL 3.5mm	LOCK 2.5mm
OPERATING FORCE	250±100gf	
OPERATING LIFE(cycles)	10,000	

NO.	PARTS	MATERIAL	Q'TY	FINISHING	
9	CONTACT CLIP	PBS C5210R-EH	2	Ag CLAD	WITHIN 1.5mm: ±0.1mm
8	TERMINAL	BRASS STRIP	6	Ag PLATED OVER Ni PLATED	OVER 1.5mm: ±0.2mm
7	BASE	PHENOLIC RESIN	1	NATURAL	
6	FRAME	STEEL STRIP	1	Ni PLATED	
5	SPRING PLATE	PBS STRIP	1	NATURAL	
4	CAM STICK	PBS WIRE	1	NATURAL	
3	SPRING	SUS	1	NATURAL	
2	BLOCK	STEEL STRIP	1	Ni PLATED	
1	KNOB	PDM	1	YELLOW	

THESE DRAWINGS AND SPECIFICATIONS ARE THE PROPERTY OF ACCURATE INNOTECH INC AND SHALL NOT BE REPRODUCED, COPIED OR USED IN ANY MANNER WITHOUT THE PRIOR WRITTEN CONSENT OF ACCURATE INNOTECH INC.

雅安科技有限公司 ACCURATE INNOTECH INC.			
TITLE: PUSH SWITCH / HORIZONTAL	PART NO.: AP-22E05L & AP-22E15N		
DR: <i>Ricky</i> 2015/03/26	DWG NO.: ADJ-22E0515		
CHKD: <i>Ricky</i> 2015/03/26	SCALE	SHEET	REV.
APPD:	3:1	1/1	A
			CUSTOMER DRAWING