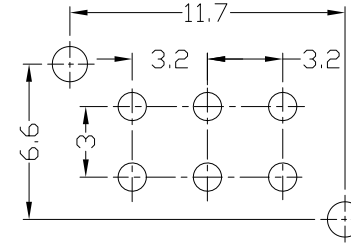
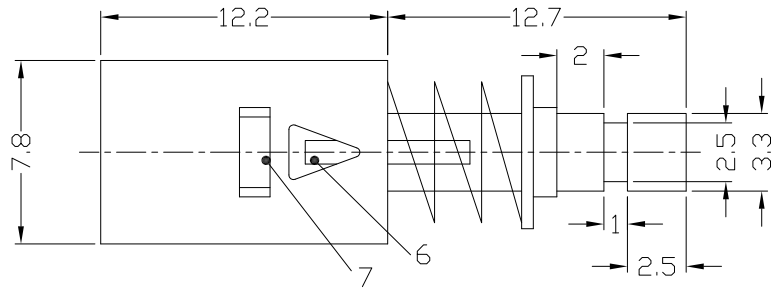




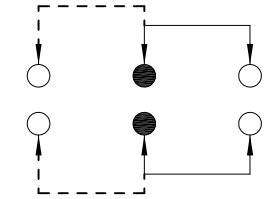
RoHS Compliant
2002/95/EC

REV.	ECN. NO.	APPD.

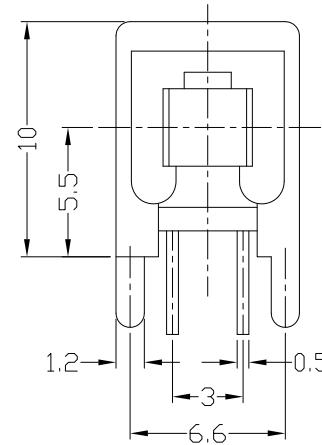
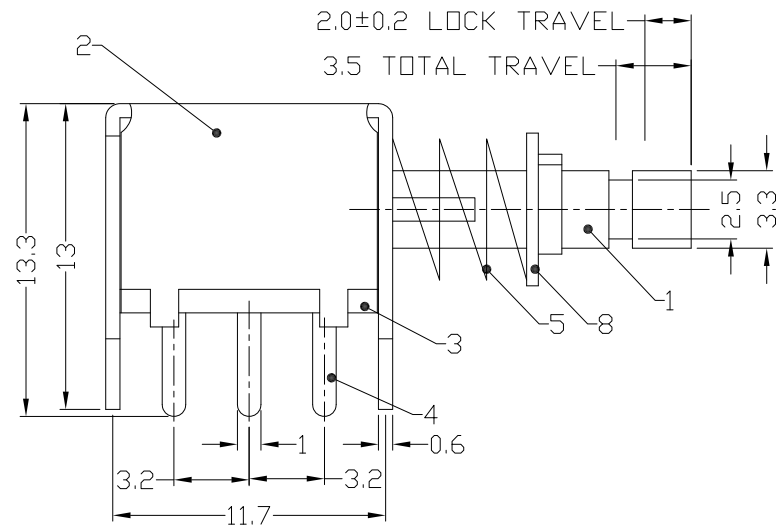
DIMENSIONS



P.C.B LAYOUT
BOTTOM VIEW



CIRCUIT DIAGRAM



ELECTRO-MECHANICAL CHARACTERISTICS

Refer to additional specifications

RATING	DC50V 0.3A	
CIRCUIT	2P2T	
CONTACT RESISTANCE	100mΩ MAX.	
TIMING	NON-SHORTING	
OPERATING MODE	SELF-LOCK	AP-22F02L
	NON-LOCK	AP-22F03N
STROKE	FULL 3.5mm	LOCK 2.0mm
OPERATING FORCE	250±100gf	
OPERATING LIFE(cycles)	10,000	

NO.	PARTS	MATERIAL	Q'TY	FINISHING
9	CLIP	PBS	2	Ag PLATED
8	BLOCK	MILD STEEL	1	Ni PLATED
7	SPRING PLATE	PBS	1	NATURAL
6	CAM STICK	BRASS	1	Ni PLATED
5	SPRING	SUS	1	Ni PLATED
4	TERMINAL	BRASS	6	Ag PLATED
3	TERMINAL CASE	PHENDLIC RESIN	1	NATURAL
2	COVER	MILD STEEL	1	Ni PLATED
1	KNDB	PBT	1	BLACK

WITHIN 1.5mm: ±0.1mm
OVER 1.5mm: ±0.2mm
SEE NOTE
SEE NOTE
Q'TY

UNITS	mm
MAT'L	SEE NOTE
FINISH	SEE NOTE
Q'TY	SEE NOTE

雅安科技有限公司 ACCURATE INNOTECH INC.			
TITLE: PUSH SWITCH / HORIZONTAL		PART NO.: AP-22F02L & AP-22F03N	
DR: <i>Ricky</i> 2017/05/12		DWG NO.: AZJ-22F0203	
CHKD: <i>Ricky</i> 2017/05/12		SCALE	SHEET
APPD:		3:1	1/1
		REV.	CUSTOMER DRAWING
		A	

THESE DRAWINGS AND SPECIFICATIONS ARE THE PROPERTY OF ACCURATE INNOTECH INC AND SHALL NOT BE REPRODUCED, COPIED OR USED IN ANY MANNER WITHOUT THE PRIOR WRITTEN CONSENT OF ACCURATE INNOTECH INC.

