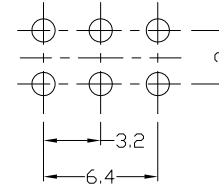
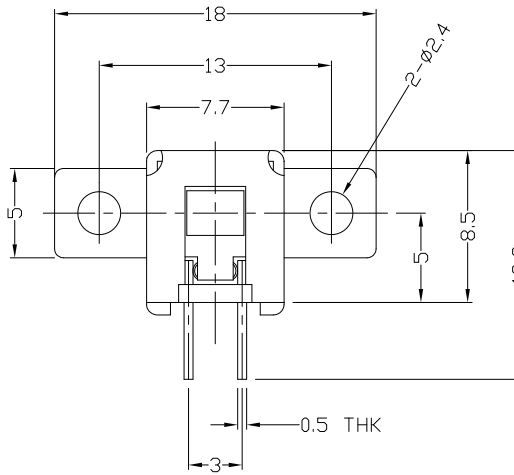
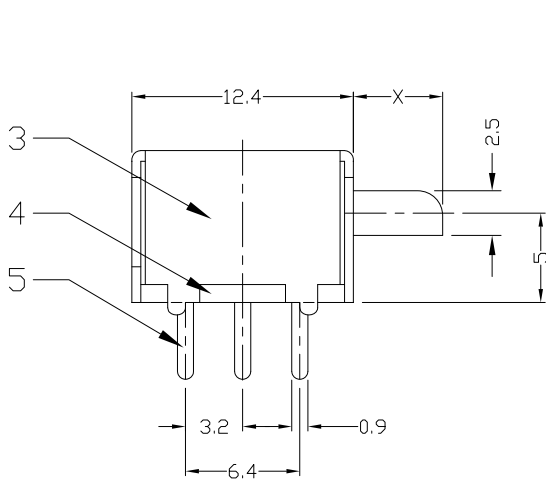
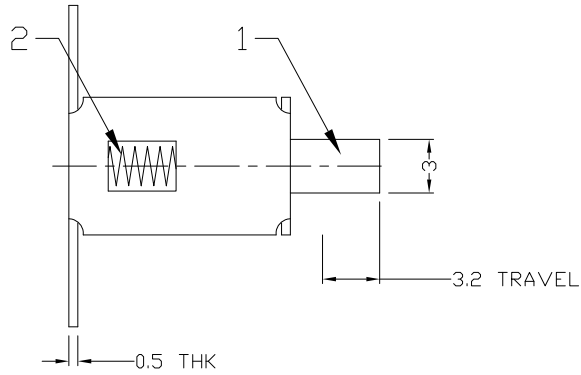




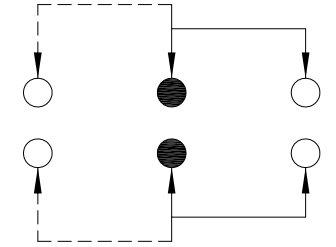
RoHS Compliant
2002/95/EC

REV.	ECN. NO.	APPD.

DIMENSIONS



P.C.B LAYOUT
BOTTOM VIEW



CIRCUIT DIAGRAM

ELECTRO-MECHANICAL CHARACTERISTICS
Refer to additional specifications

RATING	DC50V 0.3A
CIRCUIT	2P2T
CONTACT RESISTANCE	100mΩ MAX.
TIMING	NON-SHORTING
OPERATING MODE	NON-LOCK
STROKE	FULL 3.2mm
OPERATING FORCE	100±30gf
OPERATING LIFE(cycles)	10,000

8					WITHIN 1.5mm±0.1mm	UNITS mm
7					OVER 1.5mm±0.2mm	MAT'L
6	CONTACT CLIP	PBS STRIP	2	Ag PLATED		SEE NOTE
5	TERMINAL	BRASS STRIP	6	Ag PLATED		SEE NOTE
4	BASE	PHENDLIC RESIN	1	NATURAL		FINISH
3	FRAME	STEEL STRIP	1	Ni PLATED		SEE NOTE
2	SPRING	STEEL WIRE	1	NATURAL		Q'TY
1	KNOB	POM	1	BLACK		
NO.	PARTS	MATERIAL	Q'TY	FINISHING		

THESE DRAWINGS AND SPECIFICATIONS ARE THE PROPERTY OF ACCURATE INNOTECH INC AND SHALL NOT BE REPRODUCED, COPIED OR USED IN ANY MANNER WITHOUT THE PRIOR WRITTEN CONSENT OF ACCURATE INNOTECH INC.

雅安科技有限公司
ACCURATE INNOTECH INC.

TITLE: PUSH SWITCH / HORIZONTAL PART NO.: AP-22F04N

DR: *Ricky* 2015/03/31 DWG NO.: ADL-22F04

CHKD: *Ricky* 2015/03/31

APPD: _____

SCALE	SHEET	REV.	CUSTOMER DRAWING
2:1	1/1	A	