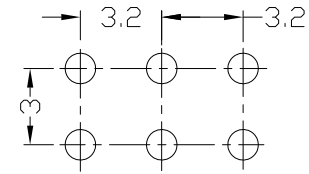
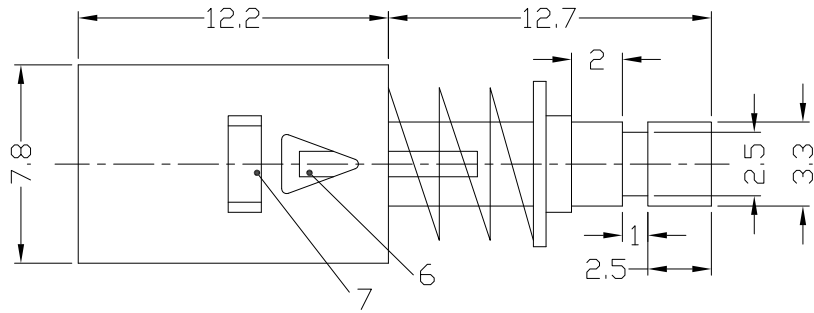




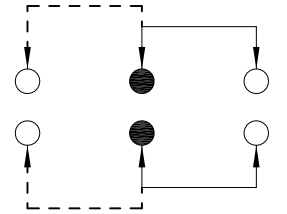
RoHS
Compliant
2002/95/EC

REV.	ECN.	NO.	APPD.

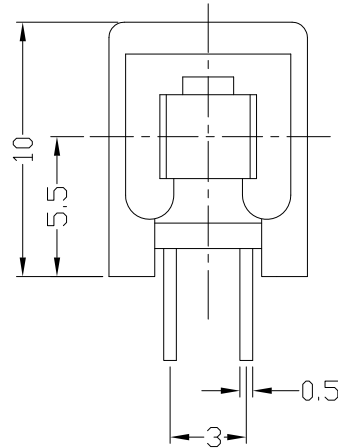
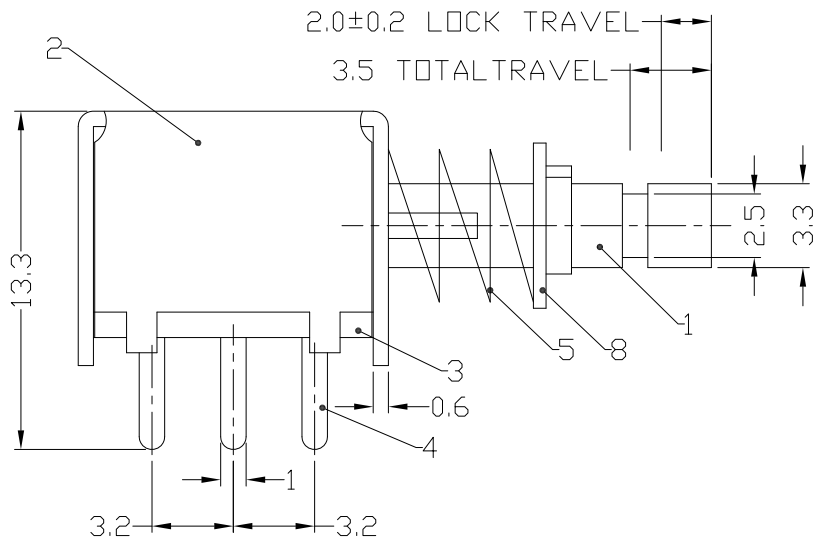
DIMENSIONS



P.C.B LAYOUT
BOTTOM VIEW



CIRCUIT DIAGRAM



ELECTRO-MECHANICAL CHARACTERISTICS

Refer to additional specifications

RATING	0.3A 50V DC	
CIRCUIT	2P2T	
CONTACT RESISTANCE	100mΩ MAX.	
TIMING	NON-SHORTING	
OPERATING MODE	SELF-LOCK	
STROKE	FULL 3.5mm	LOCK 2.0mm
OPERATING FORCE	250±100gf	
OPERATING LIFE(cycles)	10,000	

NO.	PARTS	MATERIAL	Q'TY	FINISHING
9	CLIP	PBS	2	Ag PLATED
8	BLOCK	MILD STEEL	1	Ni PLATED
7	SPRING PLATE	PBS	1	NATURAL
6	CAM STICK	BRASS	1	Ni PLATED
5	SPRING	SUS	1	Ni PLATED
4	TERMINAL	BRASS	6	Ag PLATED
3	TERMINAL CASE	PHENOLIC RESIN	1	NATURAL
2	COVER	MILD STEEL	1	Ni PLATED
1	KNOB	PBT	1	BLACK
NO.	PARTS	MATERIAL	Q'TY	FINISHING

WITHIN 1.5mm: ±0.1mm	UNITS mm
OVER 1.5mm: ±0.2mm	MAT'L
	SEE NOTE
	FINISH
	SEE NOTE
	Q'TY

THESE DRAWINGS AND SPECIFICATIONS ARE THE PROPERTY OF ACCURATE INNOTECH INC AND SHALL NOT BE REPRODUCED, COPIED OR USED IN ANY MANNER WITHOUT THE PRIOR WRITTEN CONSENT OF ACCURATE INNOTECH INC.

雅安科技有限公司 ACCURATE INNOTECH INC.			
TITLE: PUSH SWITCH / HORIZONTAL	PART NO.: AP-22F11L		
DR: Ricky 2017/05/12	DWG NO.: AZJ-22F11		
CHKD: Ricky 2017/05/12	SCALE 3:1	SHEET 1/1	REV. A
APPD:	CUSTOMER DRAWING		