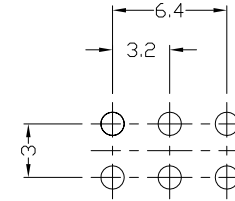
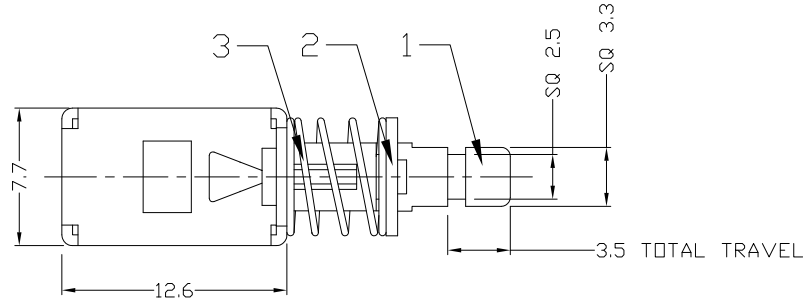




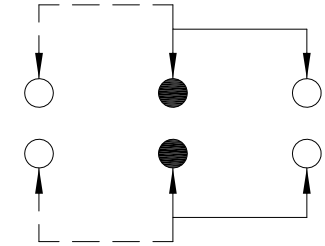
RoHS
Compliant
2002/95/EC

| REV. | ECN. NO. | NO. | APPD. |
|------|----------|-----|-------|
| | | | |
| | | | |
| | | | |

DIMENSIONS



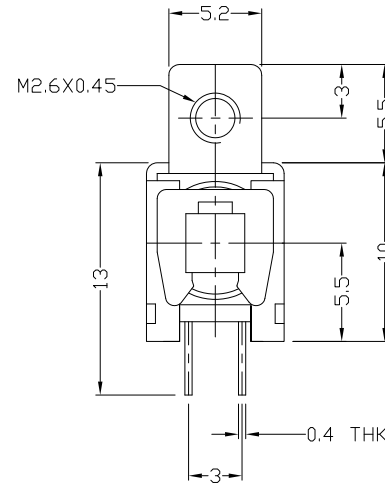
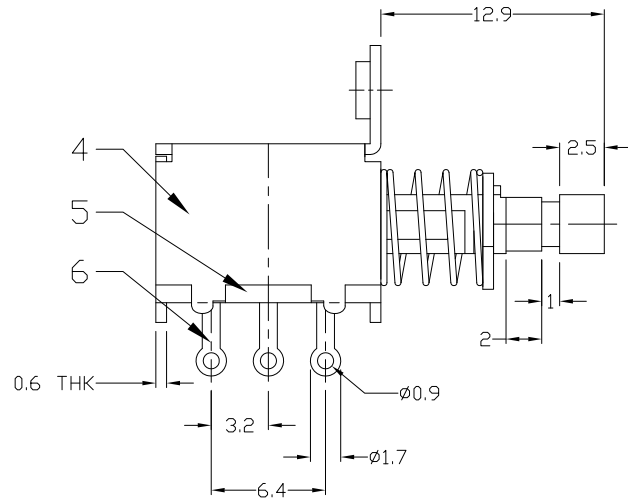
P.C.B LAYOUT
BOTTOM VIEW



CIRCUIT DIAGRAM

ELECTRO-MECHANICAL CHARACTERISTICS
Refer to additional specifications

| | |
|------------------------|--------------|
| RATING | DC50V 0.3A |
| CIRCUIT | 2P2T |
| CONTACT RESISTANCE | 100mΩ MAX. |
| TIMING | NON-SHORTING |
| OPERATING MODE | NON-LOCK |
| STROKE | TOTAL 3.5mm |
| OPERATING FORCE | 250±100gf |
| OPERATING LIFE(cycles) | 10,000 |



| NO. | PARTS | MATERIAL | Q'TY | FINISHING |
|-----|--------------|----------------|------|-----------|
| 8 | SCREEN | STEEL STRIP | 1 | Ni PLATED |
| 7 | CONTACT CLIP | PBS STRIP | 2 | Ag PLATED |
| 6 | TERMINAL | BRASS STRIP | 6 | Ag PLATED |
| 5 | BASE | PHENOLIC RESIN | 1 | NATURAL |
| 4 | FRAME | STEEL STRIP | 1 | Ni PLATED |
| 3 | SPRING | STEEL WIRE | 1 | Ni PLATED |
| 2 | BLOCK | STEEL STRIP | 1 | Ni PLATED |
| 1 | KNOB | PA66 | 1 | BLACK |

WITHIN 1.5mm±0.1mm
OVER 1.5mm±0.2mm

THESE DRAWINGS AND SPECIFICATIONS ARE THE PROPERTY OF ACCURATE INNOTECH INC AND SHALL NOT BE REPRODUCED, COPIED OR USED IN ANY MANNER WITHOUT THE PRIOR WRITTEN CONSENT OF ACCURATE INNOTECH INC.

| UNITS | MAT'L | FINISH | Q'TY |
|-------|----------|----------|------|
| mm | SEE NOTE | SEE NOTE | |

雅安科技有限公司
ACCURATE INNOTECH INC.

| | |
|------------------------------------|------------------------|
| TITLE: PUSH SWITCH / HORIZONTAL | PART NO.: AP-22F17N |
| DR: <i>Ricky</i> 2015/03/31 | DWG NO.: ADL-22F17 |
| CHKD: <i>Ricky</i> 2015/03/31 | |
| APPD: | |

| SCALE | SHEET | REV. | CUSTOMER DRAWING |
|-------|-------|------|------------------|
| 2:1 | 1/1 | A | |