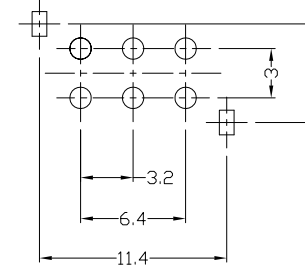
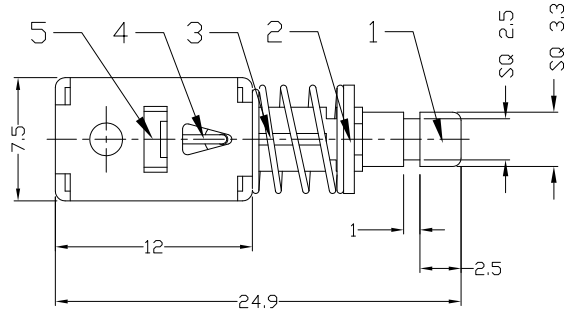




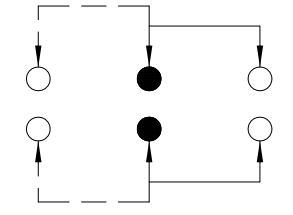
RoHS Compliant
2002/95/EC

REV.	ECN.	NO.	APPD.

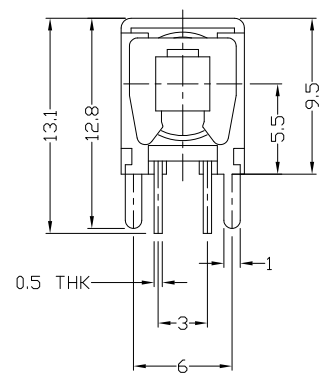
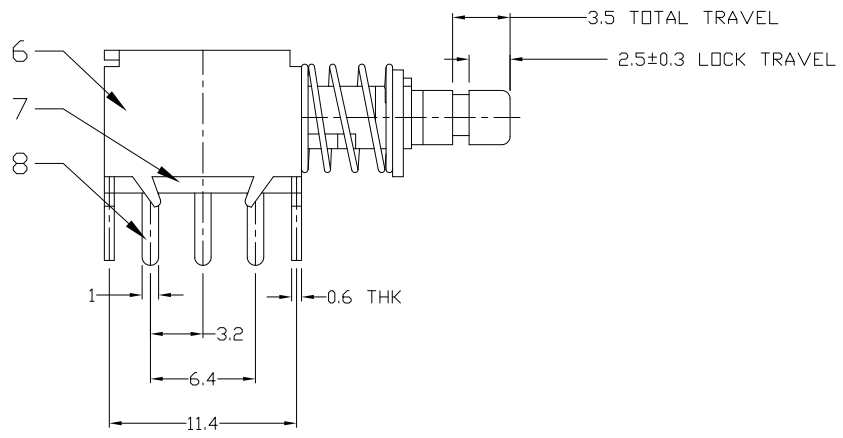
DIMENSIONS



P.C.B LAYOUT
BOTTOM VIEW



CIRCUIT DIAGRAM



ELECTRO-MECHANICAL CHARACTERISTICS
Refer to additional specifications

RATING	DC12V 3A	
CIRCUIT	2P2T	
CONTACT RESISTANCE	100mΩ MAX.	
TIMING	NON-SHORTING	
OPERATING MODE	SELF-LOCK	
STROKE	TOTAL 3.5mm	LOCK 2.5mm±0.3
OPERATING FORCE	250±100gf	
OPERATING LIFE(cycles)	10,000	

9	CONTACT CLIP	PBS C5210R-EH	2	Ag PLATED
8	TERMINAL	BRASS STRIP	6	Ag PLATED OVER Ni PLATED
7	BASE	PHENDLIC RESIN	1	NATURAL
6	FRAME	STEEL STRIP	1	Ni PLATED
5	SPRING PLATE	PBS STRIP	1	NATURAL
4	CAM STICK	PBS WIRE	1	NATURAL
3	SPRING	STEEL WIRE	1	Ni PLATED
2	BLOCK	STEEL STRIP	1	Ni PLATED
1	KNOB	NYLON+F.G+94V0	1	BLACK
NO.	PARTS	MATERIAL	Q'TY	FINISHING

WITHIN 1.5mm±0.1mm
OVER 1.5mm±0.2mm

THESE DRAWINGS AND SPECIFICATIONS ARE THE PROPERTY OF ACCURATE INNOTECH INC AND SHALL NOT BE REPRODUCED, COPIED OR USED IN ANY MANNER WITHOUT THE PRIOR WRITTEN CONSENT OF ACCURATE INNOTECH INC.

UNITS	mm
MAT'L	SEE NOTE
FINISH	SEE NOTE
Q'TY	

雅安科技有限公司
ACCURATE INNOTECH INC.

TITLE: PUSH SWITCH / HORIZONTAL PART NO.: AP-22F43L

DR: *Ricky* 2015/04/02 DWG NO.: ADL-22F43

CHKD: *Ricky* 2015/04/02

APPD:

SCALE	SHEET	REV.	CUSTOMER DRAWING
2:1	1/1	A	

