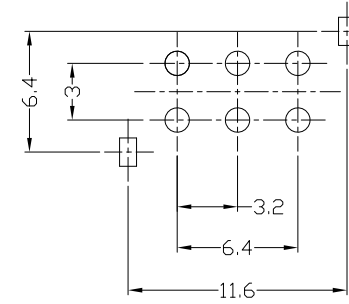
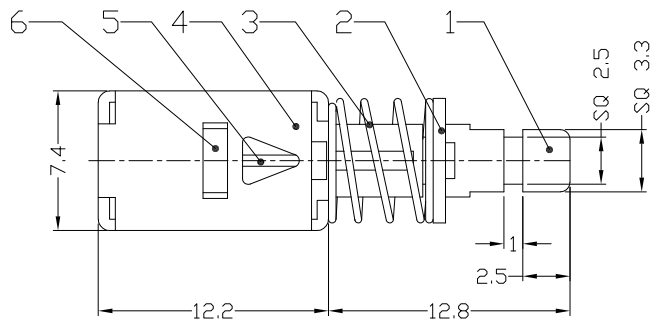




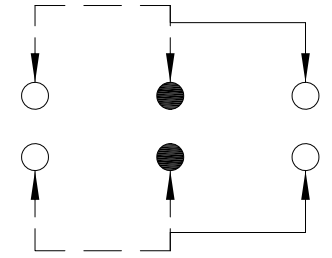
RoHS Compliant
2002/95/EC

REV.	ECN.	NO.	APPD.

DIMENSIONS



P.C.B LAYOUT
TOP VIEW

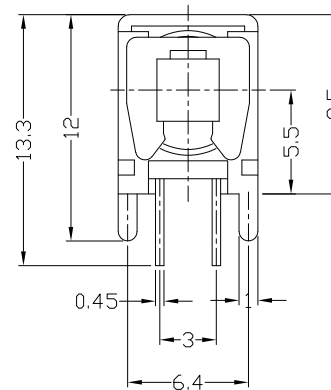
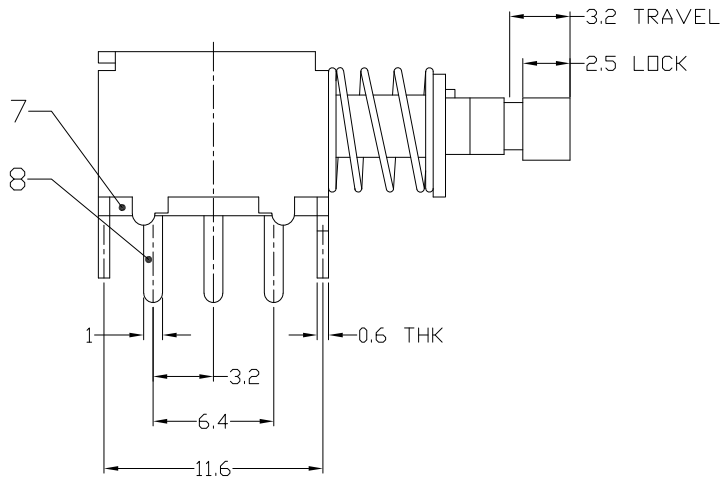


CIRCUIT DIAGRAM

ELECTRO-MECHANICAL CHARACTERISTICS

Refer to additional specifications

RATING	DC50V 0.3A
CIRCUIT	2P2T
CONTACT RESISTANCE	30mΩ MAX.
TIMING	NON-SHORTING
OPERATING MODE	SELF-LOCK
STROKE	FULL 3.2mm LOCK 2.5mm
OPERATING FORCE	300±100gf
OPERATING LIFE(cycles)	10,000



NO.	PARTS	MATERIAL	Q'TY	FINISHING	
9	CONTACT CLIP	PBS C5210-EH	2	Ag CLAD	WITHIN 1.5mm: ±0.1mm
8	TERMINAL	BRASS STRIP	6	<0.5 μm> Ag PLATED	OVER 1.5mm: ±0.2mm
7	BASE	PHENOLIC RESIN	1	NATURAL	
6	SPRING PLATE	PBS STRIP	1	NATURAL	
5	CAM STICK	PBS WIRE	1	Ni PLATED	
4	FRAME	STEEL STRIP	1	Ni PLATED	
3	SPRING	STEEL WIRE	1	Ni PLATED	
2	BLOCK	STEEL STRIP	1	Ni PLATED	
1	KNDB	PDM/NYLON+F.G	1	BLACK/BLUE/YELLOW	

UNITS	mm
MAT'L	SEE NOTE
FINISH	SEE NOTE
Q'TY	

THESE DRAWINGS AND SPECIFICATIONS ARE THE PROPERTY OF ACCURATE INNOTECH INC AND SHALL NOT BE REPRODUCED, COPIED OR USED IN ANY MANNER WITHOUT THE PRIOR WRITTEN CONSENT OF ACCURATE INNOTECH INC.

雅安科技有限公司 ACCURATE INNOTECH INC.			
TITLE:	PUSH SWITCH / HORIZONTAL	PART NO.:	AP-22F44L
DR:	Ricky 2015/03/27	DWG NO.:	ADJ-22F44
CHKD:	Ricky 2015/03/27	SCALE	2:1
APPD:		SHEET	1/1
		REV.	A
		CUSTOMER DRAWING	