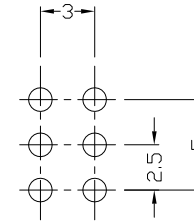
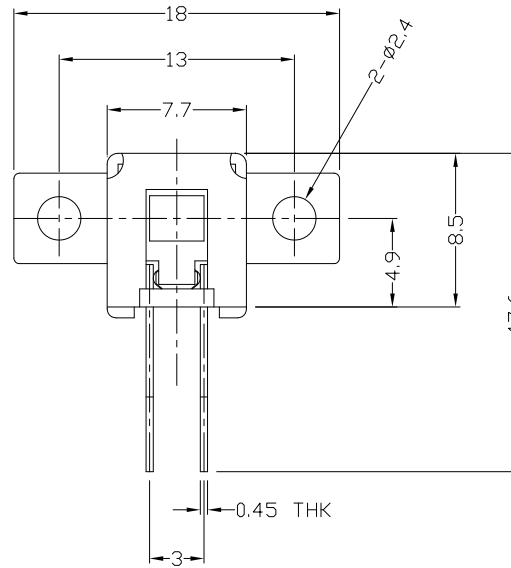
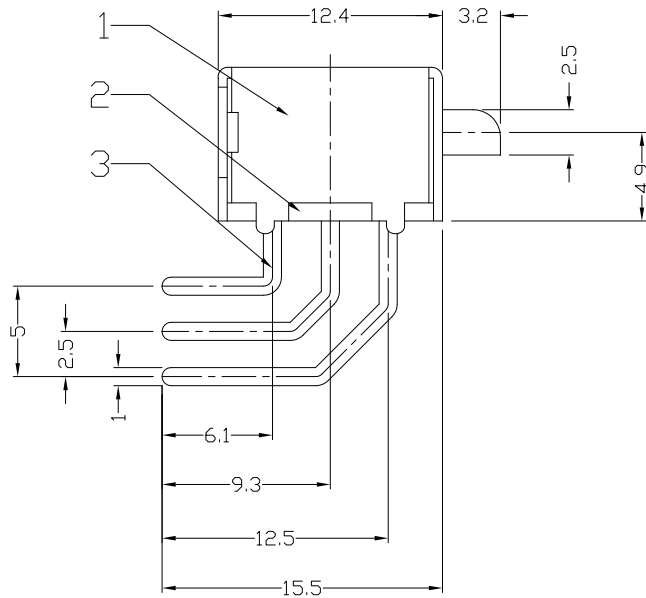
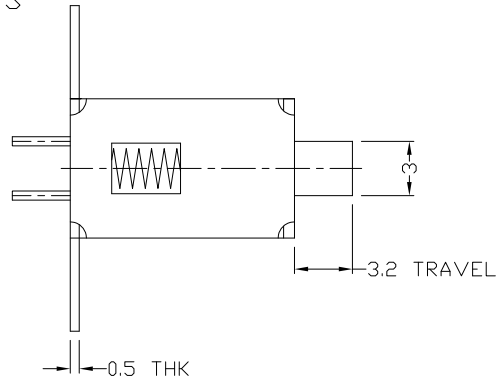




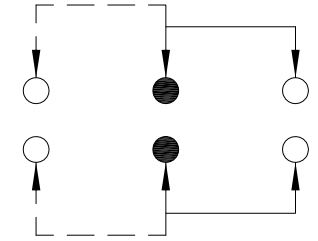
RoHS
Compliant
2002/95/EC

REV.	ECN. NO.	APPD.

DIMENSIONS



P.C.B LAYOUT
BOTTOM VIEW



CIRCUIT DIAGRAM

ELECTRO-MECHANICAL CHARACTERISTICS
Refer to additional specifications

RATING	DC50V 0.3A
CIRCUIT	2P2T
CONTACT RESISTANCE	100mΩ MAX.
TIMING	NON-SHORTING
OPERATING MODE	NON-LOCK
STROKE	FULL 3.2mm
OPERATING FORCE	100±30gf
OPERATING LIFE(cycles)	10,000

NO.	PARTS	MATERIAL	Q'TY	FINISHING
8				
7				
6	SPRING	STEEL WIRE	1	NATURAL
5	KNOB	POM	1	BLACK
4	CONTACT CLIP	PBS STRIP	2	Ag PLATED
3	TERMINAL	BRASS STRIP	6	Ag PLATED
2	BASE	PHENOLIC RESIN	1	NATURAL
1	FRAME	STEEL STRIP	1	Ni PLATED

WITHIN 1.5mm±0.1mm
OVER 1.5mm±0.2mm

THESE DRAWINGS AND SPECIFICATIONS ARE THE PROPERTY OF ACCURATE INNOTECH INC AND SHALL NOT BE REPRODUCED, COPIED OR USED IN ANY MANNER WITHOUT THE PRIOR WRITTEN CONSENT OF ACCURATE INNOTECH INC.

UNITS	雅安科技有限公司 ACCURATE INNOTECH INC.			
mm	TITLE: PUSH SWITCH / HORIZONTAL		PART NO.: AP-22F94N	
MAT'L	DR: Ricky 2015/04/02		DWG NO.: ADL-22F94	
SEE NOTE	CHKD: Ricky 2015/04/02			
FINISH	APPD:		SCALE: 2:1	SHEET: 1/1
SEE NOTE			REV.: A	CUSTOMER DRAWING
Q'TY				