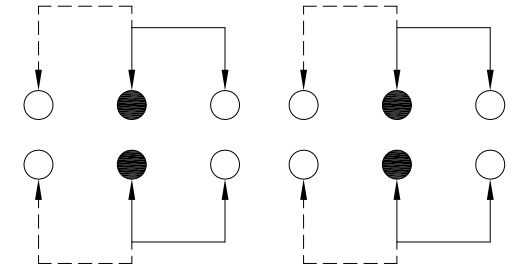
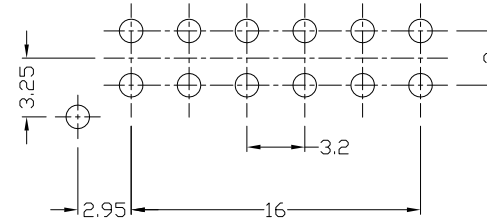
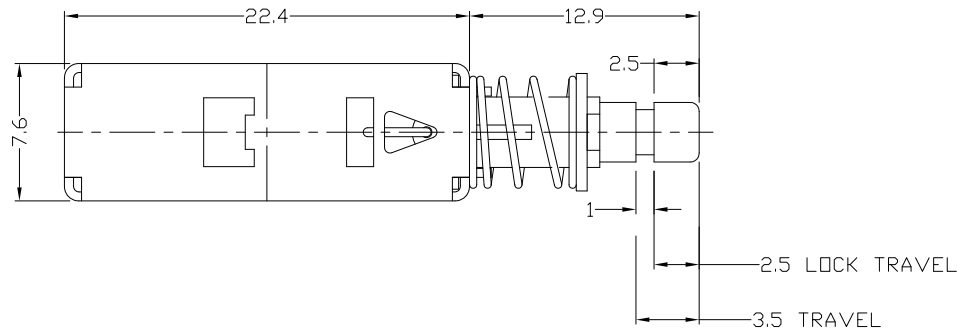




RoHS Compliant  
2002/95/EC

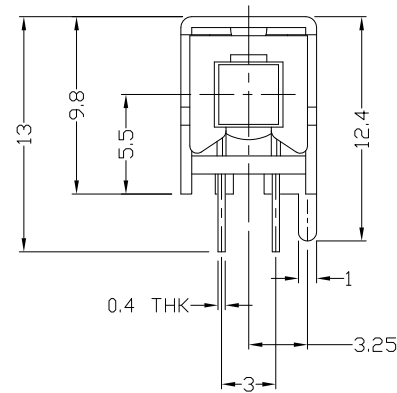
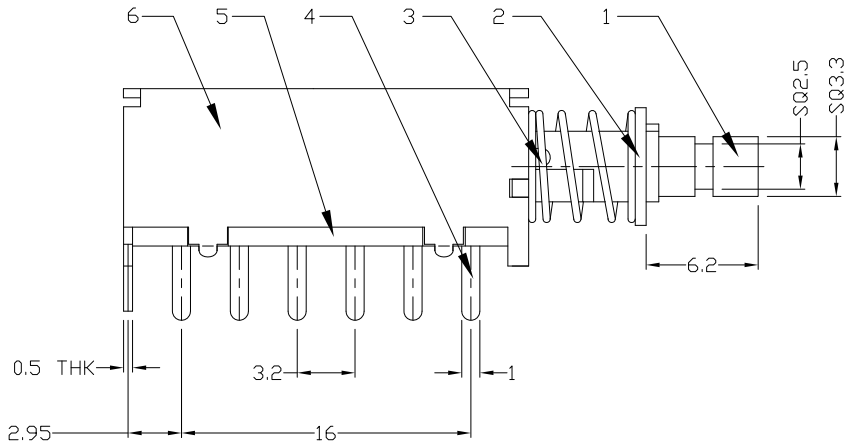
REV.	ECN. NO.	APPD.

DIMENSIONS



P.C.B LAYOUT  
BOTTOM VIEW

CIRCUIT DIAGRAM



ELECTRO-MECHANICAL CHARACTERISTICS  
Refer to additional specifications

RATING	DC50V 0.3A	
CIRCUIT	4P2T	
CONTACT RESISTANCE	100mΩ MAX.	
TIMING	NON-SHORTING	
OPERATING MODE	SELF-LOCK	AP-42F42L
	NON-LOCK	AP-42F43N
STROKE	TOTAL 3.5mm	LOCK 2.5mm
OPERATING FORCE	350±100gf	
OPERATING LIFE(cycles)	10,000	

NO.	PARTS	MATERIAL	Q'TY	FINISHING
9	SPRING PLATE	PBS STRIP	1	NATURAL
8	CAM STICK	BRASS WIRE	1	Ni PLATED
7	CONTACT CLIP	PBS STRIP	4	Ag PLATED
6	FRAME	STEEL STRIP	1	Ni PLATED
5	BASE	PHENOLIC RESIN	1	NATURAL
4	TERMINAL	BRASS STRIP	12	Ag PLATED
3	SPRING	STEEL WIRE	1	Ni PLATED
2	BLOCK	STEEL STRIP	1	Ni PLATED
1	KNOB	POM	1	BLACK

WITHIN 1.5mm±0.1mm
OVER 1.5mm±0.2mm
UNITS mm
MAT'L SEE NOTE
FINISH SEE NOTE
Q'TY
THESE DRAWINGS AND SPECIFICATIONS ARE THE PROPERTY OF ACCURATE INNOTECH INC AND SHALL NOT BE REPRODUCED, COPIED OR USED IN ANY MANNER WITHOUT THE PRIOR WRITTEN CONSENT OF ACCURATE INNOTECH INC.

雅安科技有限公司 ACCURATE INNOTECH INC.			
TITLE: PUSH SWITCH / HORIZONTAL	PART NO: AP-42F42L & AP-42F43N		
DR: <i>Ricky</i> 2015/04/08	DWG NO: ADL-42F4243		
CHKD: <i>Ricky</i> 2015/04/08	SCALE 2:1	SHEET 1/1	REV. A
APPD:	CUSTOMER DRAWING		