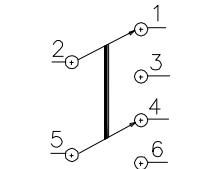
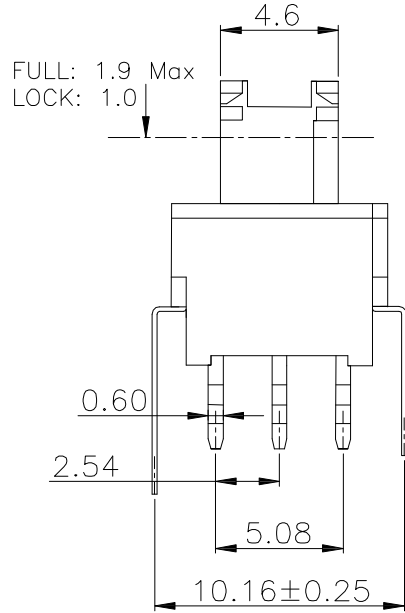
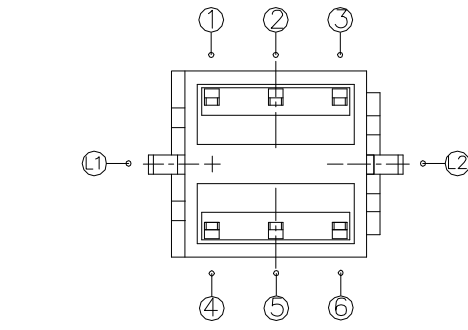
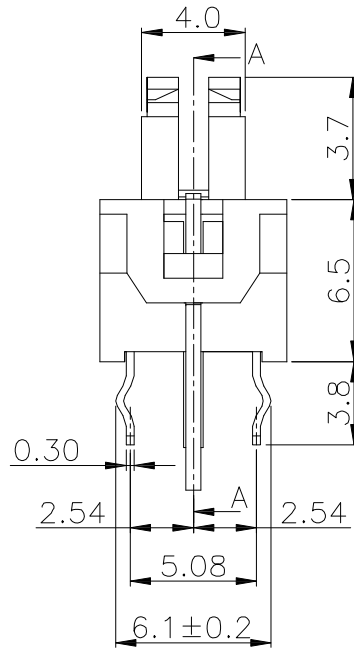
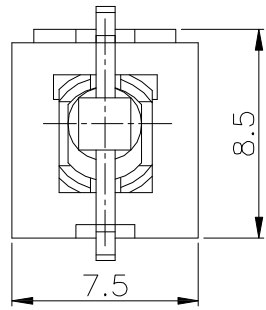


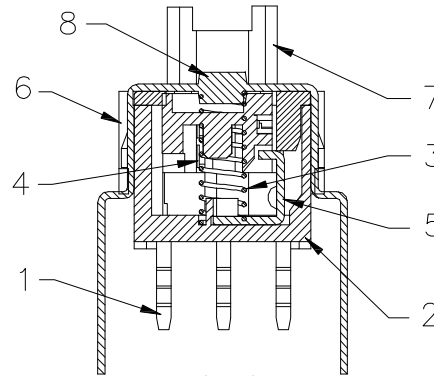


RoHS
Compliant
2002/95/EC
Process
Capable

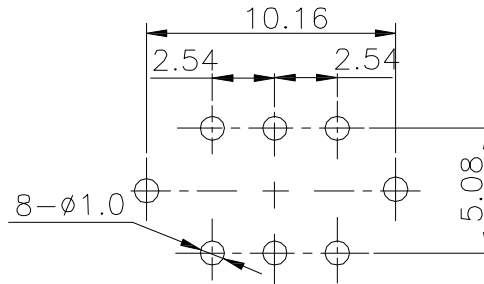
DIMENSIONS



SCHEMATIC



A-A



P.C.B LAYOUT

MODEL CODE

API2210*-DW25-2DN**P-BS
1 234 5678 9 10

1.Series Nu1.Series Number: L=SELF-LOCK
N=NON-LOCK

- 2.Terminal Type: D=Dip
- 3.Stem Color: W=White B=Black
- 4.Operating Force: 18=180gf 25=250gf
- 5.Circuit
- 6.LED Type: D=Dip
- 7.LED Brightness: N=Normal S=Super Bright
H=Super High Bright
- 8.LED Color: 01=Red 02=Yellow 03=Green
04=Blue 05=White
06=Pure Green 08=Amber
09=Blue Green 0A=Pink
0B=Purple
- 9.LED Appearance: P=Flat R=Roung
- 10.Packing Type: BS=Blister Packing

ELECTRO-MECHANICAL CHARACTERISTICS

Refer to additional specifications

RATING	DC30V 0.1A	
CIRCUIT	2P2T	
CONTACT RESISTANCE	100mΩ MAX.	
TIMING	NON-SHORTING	
OPERATING MODE	SELF-LOCK	API-2210L
	NON-LOCK	API-2210N
STROKE	FULL 1.9mm	LOCK 1.0mm
OPERATING FORCE	250±100gf	
OPERATING LIFE(cycles)	10,000	

NO.	PARTS	MATERIAL	Q'TY	FINISHING
8	LED		1	RED/GREEN/YELLOW/BLUE/WHITE
7	KNOB	POM/NYLON66	1	WHITE/BLACK
6	COVER	NYLON66	1	BLACK
5	LOCK PIN	SUS WIRE	1	NATURAL
4	CONTACT	PBS	2	Ag CLAD
3	SPING	SUS WIRE	1	NATURAL
2	CASE	NYLON66	1	BLACK
1	TERMINAL	BRASS STRIP/NYLON66	2	Ag PLATED OVER Ni PLATED/BLACK

WITHIN 1.5mm: ±0.2mm	UNITS mm
OVER 1.5mm: ±0.3mm	MAT'L
	SEE NOTE
	FINISH
	SEE NOTE
THESE DRAWINGS AND SPECIFICATIONS ARE THE PROPERTY OF ACCURATE INNOTECH INC AND SHALL NOT BE REPRODUCED, COPIED OR USED IN ANY MANNER WITHOUT THE PRIOR WRITTEN CONSENT OF ACCURATE INNOTECH INC.	Q'TY

雅安科技有限公司 ACCURATE INNOTECH INC.			
TITLE:	ILLUMINATED PUSH SWITCH / VERTICAL	PART NO.:	API-2210L & API-2210N
DR:	Ricky 2022/05/18	DWG NO.:	AZJ-2210
CHKD:	Ricky 2022/05/18	SCALE	6:1
APPD:		SHEET	1/1
		REV.	A
		CUSTOMER DRAWING	