



RoHS
Compliant
2002/95/EC

REV.	ECN. NO.	APPD.

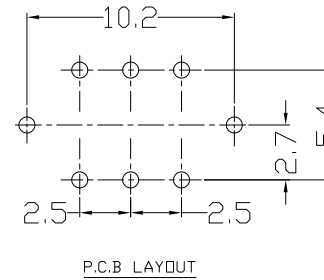
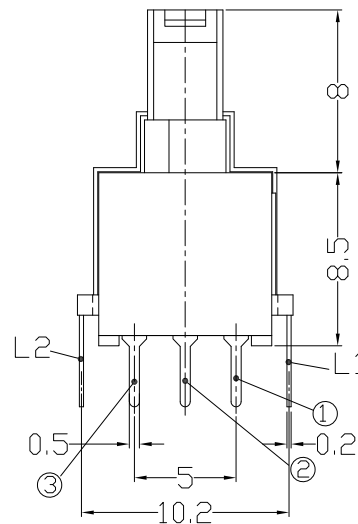
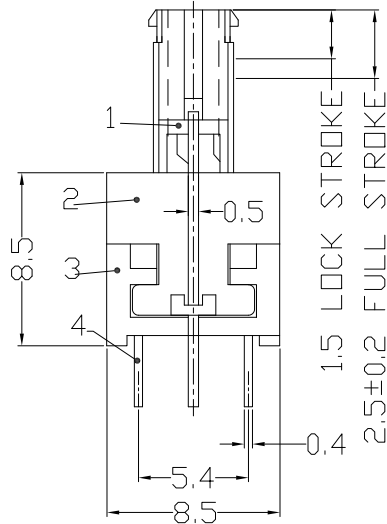
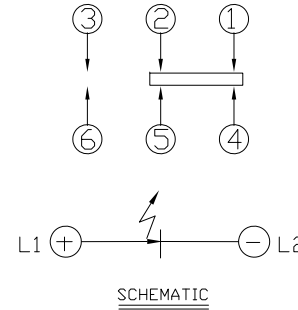
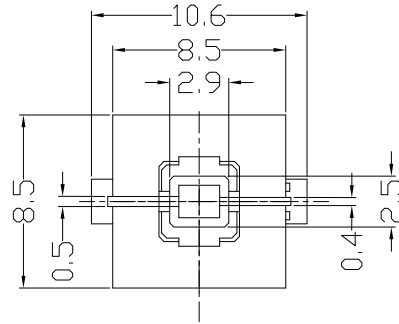
MODEL CODE

API2214*-DW25-2DN**P-BS
1 234 5678 9 10

1.Series Nu1.Series Number: L=SELF-LOCK
N=NON-LOCK

- 2.Teminal Type: D=Dip
- 3.Stem Color: W=White B=Black
- 4.Operating Force: 18=180gf 25=250gf
- 5.Circuit
- 6.LED Type: D=Dip
- 7.LED Brightness: N=Normal S=Super Bright
H=Super High Bright
- 8.LED Color: 01=Red 02=Yellow 03=Green
04=Blue 05=White
06=Pure Green 08=Amber
09=Blue Green 0A=Pink
0B=Purple
- 9.LED Appearance: P=Flat R=Roung
- 10.Packing Type: BS=Blister Packing

DIMENSIONS



ELECTRO-MECHANICAL CHARACTERISTICS
Refer to additional specifications

RATING	DC30V 0.1A	
CIRCUIT	2P2T	
CONTACT RESISTANCE	100mΩ MAX.	
TIMING	NON-SHORTING	
OPERATING MODE	SELF-LOCK	API-2210L
	NON-LOCK	API-2210N
STROKE	FULL 2.5mm	LOCK 1.5mm
OPERATING FORCE	250±100gf	
OPERATING LIFE(cycles)	10,000	

8	LED		1	RED/BLUE/YELLOW/GREEN/WHITE	WITHIN 1.5mm: ±0.2mm
7	CONTACT	PBS	2	Ag CLAD	OVER 1.5mm: ±0.3mm
6	SPING	SUS WIRE	1	NATURAL	
5	LOCK PIN	SUS WIRE	1	NATURAL	
4	TERMINAL	BRASS STRIP	6	Ag PLATED	
3	CASE	NYLON+F.G	1	BLACK	
2	COVER	NYLON+F.G	1	BLACK	
1	KNOB	POM	1	WHITE	
NO.	PARTS	MATERIAL	Q'TY	FINISHING	

THESE DRAWINGS AND SPECIFICATIONS ARE THE PROPERTY OF ACCURATE INNOTECH INC AND SHALL NOT BE REPRODUCED, COPIED OR USED IN ANY MANNER WITHOUT THE PRIOR WRITTEN CONSENT OF ACCURATE INNOTECH INC.

UNITS	mm	雅安科技有限公司 ACCURATE INNOTECH INC.						
MAT'L	SEE NOTE					TITLE:	PART NO.:	
FINISH	SEE NOTE					ILLUMINATED PUSH SWITCH / VERTICAL	API-2214L & API-2214N	
Q'TY						DR: <i>Ricky</i> 2022/05/18	DWG NO.: AZJ-2214	
		CHKD: <i>Ricky</i> 2022/05/18	SCALE	SHEET	REV.	CUSTOMER DRAWING		
		APPD:	5:1	1/1	A			