



RoHS Compliant  
2002/95/EC

| REV. | ECN. NO. | APPD. |
|------|----------|-------|
|      |          |       |
|      |          |       |

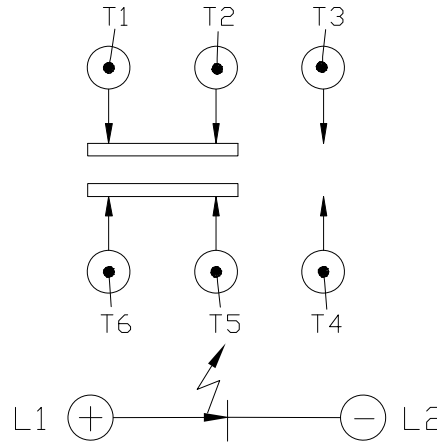
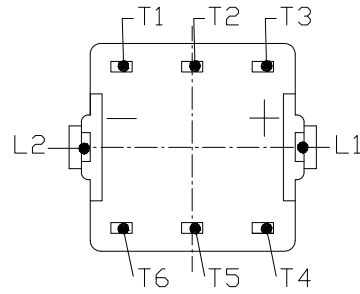
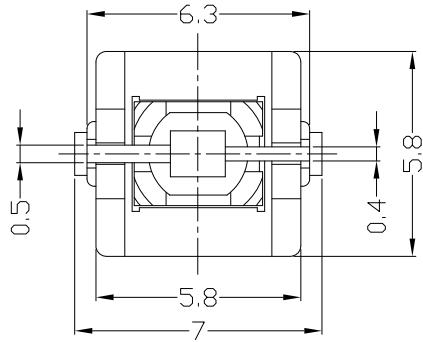
MODEL CODE

API2216\*-DW18-2DN\*\*P-BS  
1 234 5678 9 10

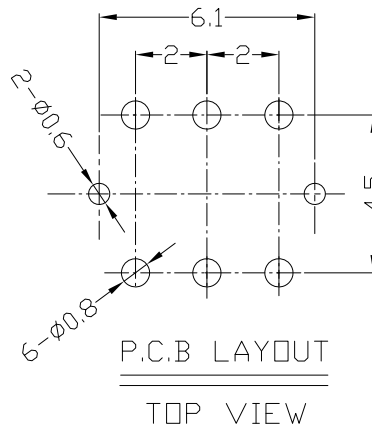
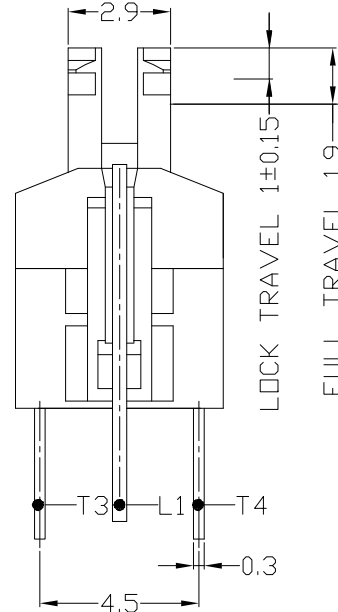
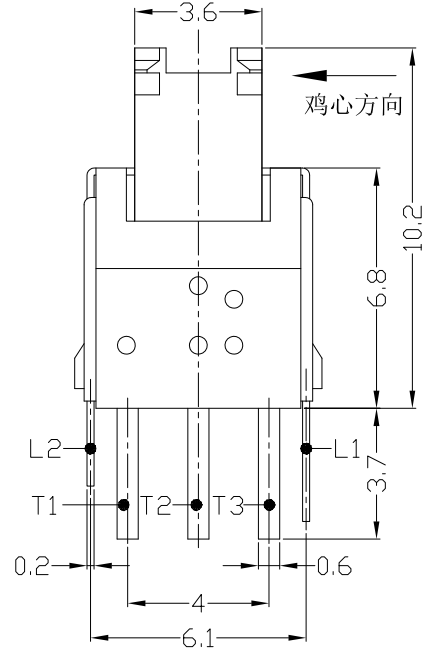
1.Series Nu1.Series Number: L=SELF-LOCK  
N=NON-LOCK

- 2.Teminal Type: D=Dip
- 3.Stem Color: W=White B=Black
- 4.Operating Force: 18=180gf 25=250gf
- 5.Circuit
- 6.LED Type: D=Dip
- 7.LED Brightness: N=Normal S=Super Bright  
H=Super High Bright
- 8.LED Color: 01=Red 02=Yellow 03=Green  
04=Blue 05=White  
06=Pure Green 08=Amber  
09=Blue Green 0A=Pink  
0B=Purple
- 9.LED Appearance: P=Flat R=Roung
- 10.Packing Type: BS=Blister Packing

DIMENSIONS



CIRCUIT DIAGRAM



P.C.B LAYOUT  
TOP VIEW

ELECTRO-MECHANICAL CHARACTERISTICS

Refer to additional specifications

|                        |              |            |
|------------------------|--------------|------------|
| RATING                 | DC12V 0.1A   |            |
| CIRCUIT                | 2P2T         |            |
| CONTACT RESISTANCE     | 70mΩ MAX.    |            |
| TIMING                 | NON-SHORTING |            |
| OPERATING MODE         | SELF-LOCK    | API-2216L  |
|                        | NON-LOCK     | API-2216N  |
| STROKE                 | FULL 1.9mm   | LOCK 1.0mm |
| OPERATING FORCE        | 180±50gf     | 250±100gf  |
| OPERATING LIFE(cycles) | 10,000       |            |

|     |          |             |      |                             |                      |
|-----|----------|-------------|------|-----------------------------|----------------------|
| 8   | LED      |             | 1    | RED/YELLOW/GREEN/BLUE/WITHE | WITHIN 1.5mm: ±0.1mm |
| 7   | CONTACT  | PBS         | 1    | Ag CLAD                     | OVER 1.5mm: ±0.2mm   |
| 6   | SPING    | SUS         | 1    | NATURAL                     |                      |
| 5   | LOCK PIN | SUS         | 1    | NATURAL                     |                      |
| 4   | TERMINAL | BRASS STRIP | 6    | Ag PLATED OVER Ni PLATED    |                      |
| 3   | CASE     | PA66        | 1    | BLACK                       |                      |
| 2   | COVER    | PA66        | 1    | BLACK                       |                      |
| 1   | KNOB     | PDM/PA66    | 1    | WHITE/BLACK                 |                      |
| NO. | PARTS    | MATERIAL    | Q'TY | FINISHING                   |                      |

THESE DRAWINGS AND SPECIFICATIONS ARE THE PROPERTY OF ACCURATE INNOTECH INC AND SHALL NOT BE REPRODUCED, COPIED OR USED IN ANY MANNER WITHOUT THE PRIOR WRITTEN CONSENT OF ACCURATE INNOTECH INC.

|        |          |  |       |      |          |
|--------|----------|--|-------|------|----------|
| UNITS  | mm       | <p>雅安科技有限公司<br/>ACCURATE INNOTECH INC.</p> <p>TITLE: ILLUMINATED PUSH SWITCH / VERTICAL</p> <p>PART NO.: API-2216L &amp; API-2216N</p> <p>DR: Ricky 2019/10/25</p> <p>DWG NO.: AZJ-2216</p> <p>CHKD: Ricky 2019/10/25</p> <p>APPD:</p> |       |      |          |
| MAT'L  | SEE NOTE |  |       |      |          |
| FINISH | SEE NOTE |  |       |      |          |
| Q'TY   |          |  |       |      |          |
|        |          | SCALE  | SHEET | REV. | CUSTOMER |
|        |          | 6:1  | 1/1   | A    | DRAWING  |