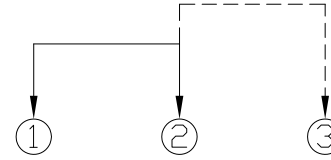
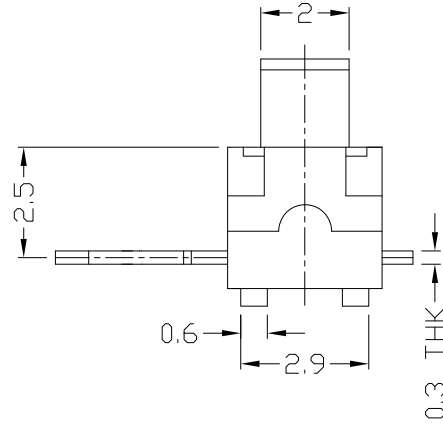
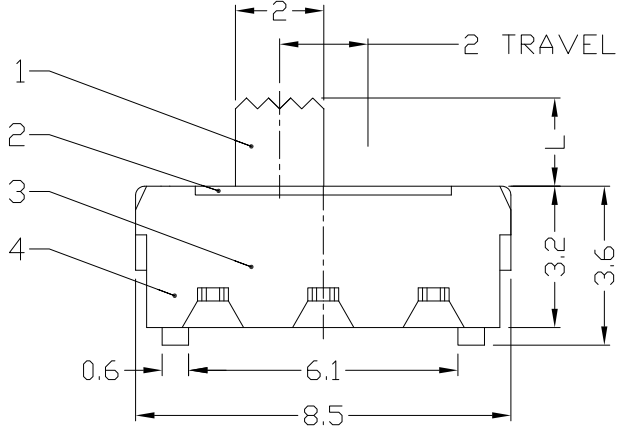




RoHS Compliant  
2002/95/EC

REV.	ECN.	NO.	APPD.

**DIMENSIONS**



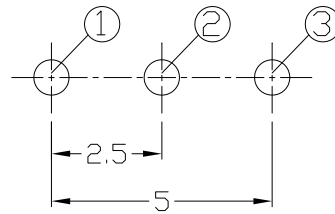
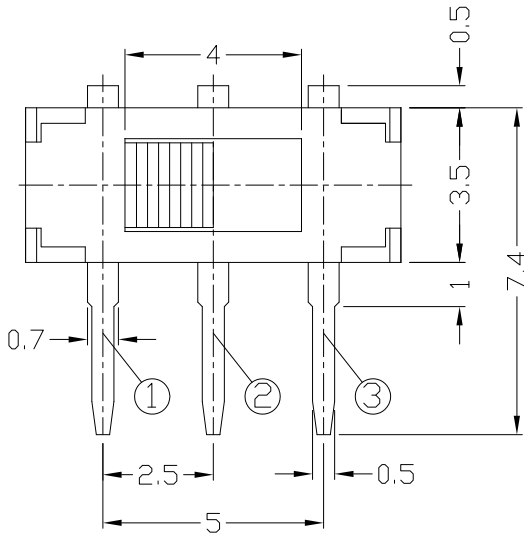
CIRCUIT DIAGRAM

**MODEL CODE**

AS-1260 [ ] - [B]

L	(mm)
-	2.0
A	2.5
B	3.0
C	4.0
D	4.5

Knob Color	
B	Black



P.C.B LAYOUT  
BOTTOM VIEW

**ELECTRO-MECHANICAL CHARACTERISTICS**

Refer to additional specifications

RATING	DC6V 0.3A
CIRCUIT	1P2T
CONTACT RESISTANCE	70mΩ MAX.
TRAVEL	2mm
OPERATING FORCE	150±50gf
OPERATING LIFE(cycles)	10,000

8					WITHIN 1.5mm:±0.1mm	UNITS mm	雅安科技有限公司 <b>ACCURATE INNOTECH INC.</b>	TITLE: MINI SLIDE SWITCH / HORIZONTAL	PART NO.: AS-1260 SERIES
7					OVER 1.5mm:±0.2mm	MAT'L SEE NOTE			
6						FINISH SEE NOTE	DR: <i>Ricky</i> 2015/04/09	DWG NO.: ADL-1260	SCALE SHEET REV. CUSTOMER 5:1 1/1 A DRAWING
5						Q'TY	CHKD: <i>Ricky</i> 2015/04/09		
4	CASE	PA66/BRASS STRIP	1	BLACK/Ag PLATED	THESE DRAWINGS AND SPECIFICATIONS ARE THE PROPERTY OF ACCURATE INNOTECH INC AND SHALL NOT BE REPRODUCED, COPIED OR USED IN ANY MANNER WITHOUT THE PRIOR WRITTEN CONSENT OF ACCURATE INNOTECH INC.		APPD:		
3	CONTACT	BRASS WIRE	1	Au PLATED					
2	COVER	SUS	1	NATURAL					
1	KNOB	PA66	1	BLACK					
NO.	PARTS	MATERIAL	Q'TY	FINISHING					