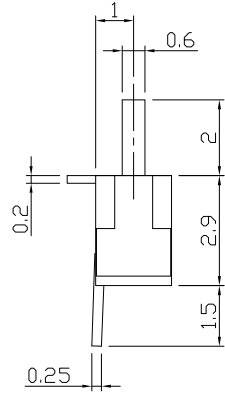
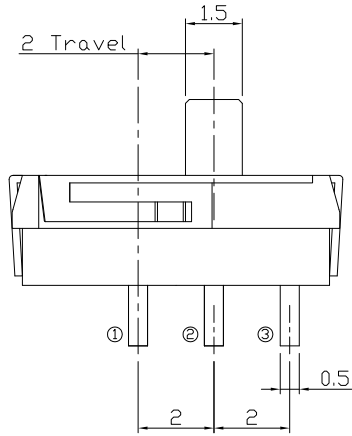




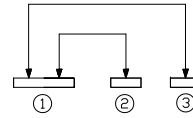
RoHS
Compliant
2002/95/EC

REV.	ECN.	NO.	APPD.

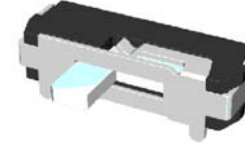
DIMENSIONS



CIRCUIT DIAGRAM



PRODUCT IMAGE



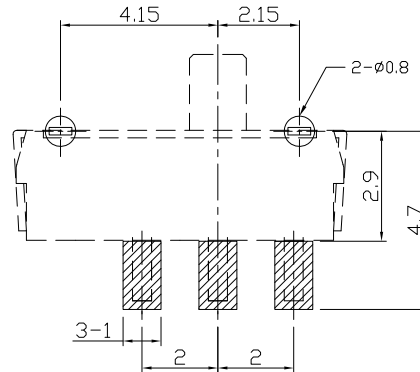
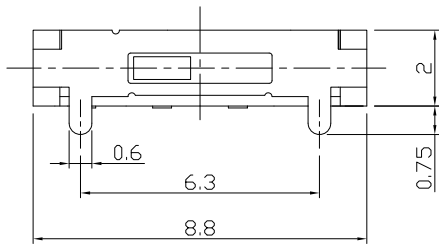
MODEL CODE

AS-1270 **B**

Knob Color
B Black

P.C.B MOUNTING PATTERN DIMENSION

The following soldering patterns are recommended for reflow soldering



ELECTRO-MECHANICAL CHARACTERISTICS

Refer to additional specifications

Rating	DC 4V 0.3A
Circuit	1C-2P
Contact Resistance	70m Ω Max.
Travel	2 \pm 0.2mm
Operating Force	150 \pm 100gf
Operating Life	10,000 cycles

.X \pm 0.2 X. \pm 2'

UNITS mm

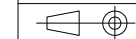
MAT'L

SEE NOTE

FINISH

SEE NOTE

Q'TY



THESE DRAWINGS AND SPECIFICATIONS ARE THE PROPERTY OF ACCURATE INNOTECH INC AND SHALL NOT BE REPRODUCED, COPIED OR USED IN ANY MANNER WITHOUT THE PRIOR WRITTEN CONSENT OF ACCURATE INNOTECH INC.

雅安科技有限公司
ACCURATE INNOTECH INC.

TITLE:
MINI SLIDE SWITCH

PART NO.:
AS-1270 SERIES

DR: *Ricky* 2024/03/22

DWG NO.:
ASI-1270

CHKD: *Ricky* 2024/03/22

APPD:

SCALE	SHEET	REV.	CUSTOMER
1:1	1/1	A	DRAWING