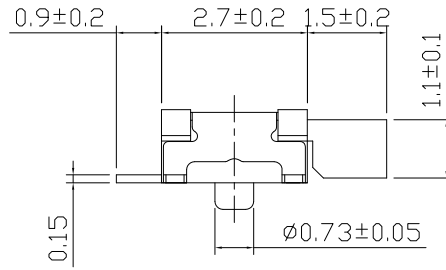
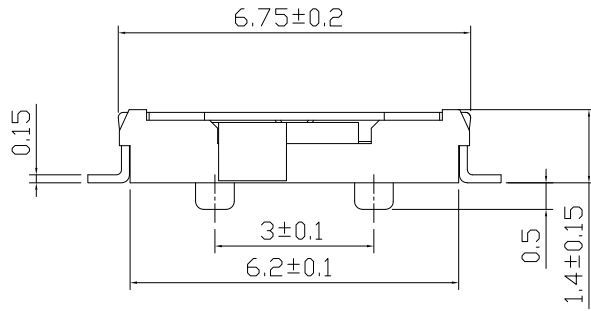




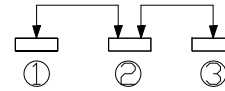
RoHS Compliant
2002/95/EC

REV.	ECN. NO.	APPD.

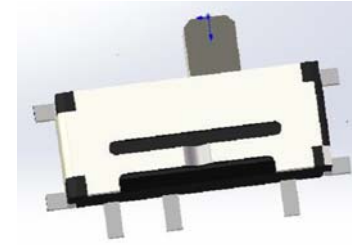
DIMENSIONS



CIRCUIT DIAGRAM



PRODUCT IMAGE



MODEL CODE

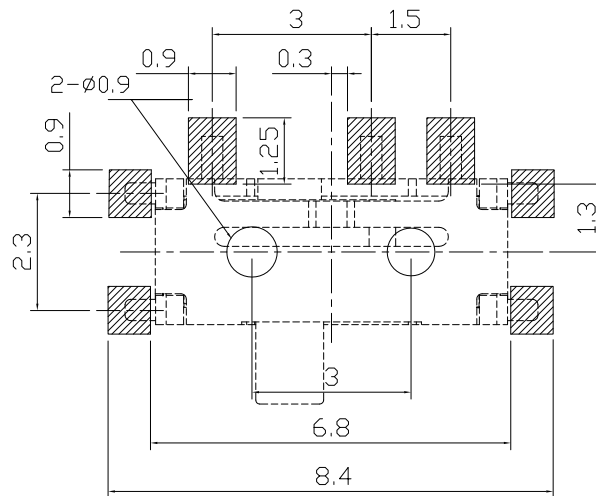
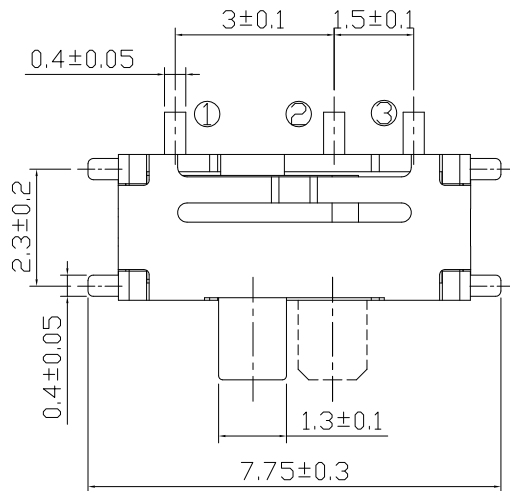
AS-1291 A P-W

Knob t(mm)
A 1.1

Knob Color	
W	White
B	Black

P.C.B MOUNTING PATTERN DIMENSION

The following soldering patterns are recommended for reflow soldering



ELECTRO-MECHANICAL CHARACTERISTICS

Refer to additional specifications

Rating	DC 4V 0.3A
Circuit	1C-2P
Contact Resistance	70mΩ Max.
Travel	1.5±0.3mm
Operating Force	150±100gf
Operating Life	10,000 cycles



					.X ±0.2	X. ±2'	UNITS mm	雅安科技有限公司 ACCURATE INNOTECH INC.				
							MAT'L	TITLE: MINI SLIDE SWITCH		PART NO.: AS-1291AP SERIES		
							SEE NOTE	DR: Ricky 2021/03/15		DWG NO.: ASI-1291AP		
							FINISH	CHKD: Ricky 2021/03/15		SCALE SHEET REV. CUSTOMER		
							SEE NOTE	APPD:		1:1 1/1 A DRAWING		
NO	PARTS	MATERIAL	QTY	FINISHING	THESE DRAWINGS AND SPECIFICATIONS ARE THE PROPERTY OF ACCURATE INNOTECH INC AND SHALL NOT BE REPRODUCED, COPIED OR USED IN ANY MANNER WITHOUT THE PRIOR WRITTEN CONSENT OF ACCURATE INNOTECH INC.							