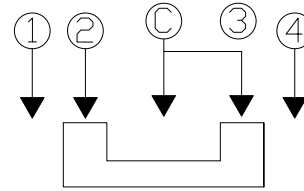
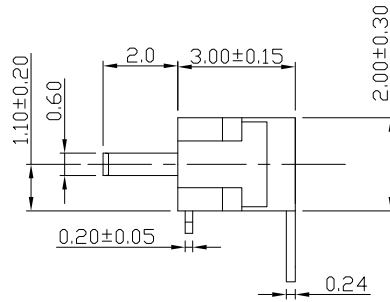
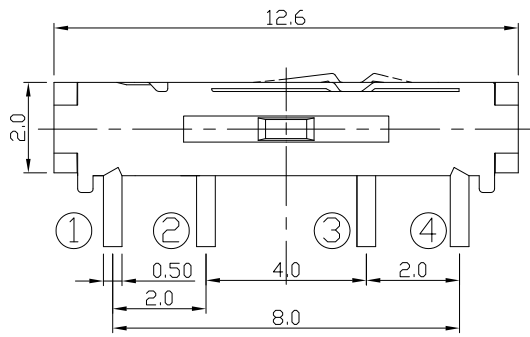




RoHS
Compliant
2002/95/EC

REV.	ECN.	NO.	APPD.

DIMENSIONS

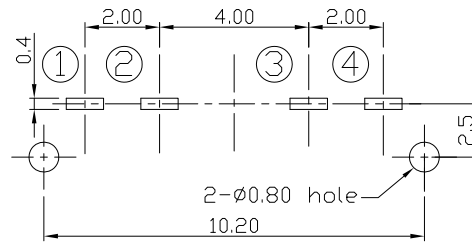
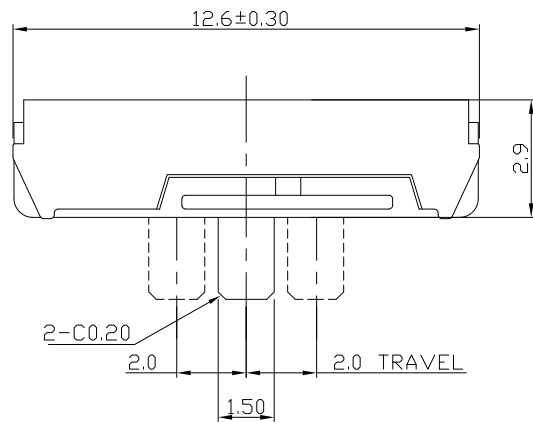


CIRCUIT DIAGRAM

MODEL CODE

AS-1370H-**B**

Knob Color	
B	Black



P.C.B LAYOUT
TOP VIEW

ELECTRO-MECHANICAL CHARACTERISTICS

Refer to additional specifications

Rating	DC 6V 0.3A
Circuit	1P3T
Contact Resistance	70mΩ Max.
Travel	2.0mm
Operating Force	150±50gf
Operating Life(cycles)	10,000

8					WITHIN 1.5mm:±0.1mm	UNITS	mm	雅安科技有限公司 ACCURATE INNOTECH INC.						
7					OVER 1.5mm:±0.2mm	MAT'L								
6						SEE NOTE		TITLE:	PART NO.:					
5								MINI SLIDE SWITCH / HORIZONTAL	AS-1370H SERIES					
4	CONTACT FOOT	BRASS	4	Ag-Plating		FINISH		DR:	Ricky 2015/04/10		DWG NO.:	ADL-1370H		
3	COAT	STEEL	1			SEE NOTE		CHKD:	Ricky 2015/04/10		SCALE	SHEET	REV.	CUSTOMER
2	BUTTON	PA9T	1			Q'TY		APPD:			4:1	1/1	A	DRAWING
1	HOUSING	PA9T	1											
NO.	PARTS	MATERIAL	Q'TY	FINISHING	THESE DRAWINGS AND SPECIFICATIONS ARE THE PROPERTY OF ACCURATE INNOTECH INC AND SHALL NOT BE REPRODUCED, COPIED OR USED IN ANY MANNER WITHOUT THE PRIOR WRITTEN CONSENT OF ACCURATE INNOTECH INC.									