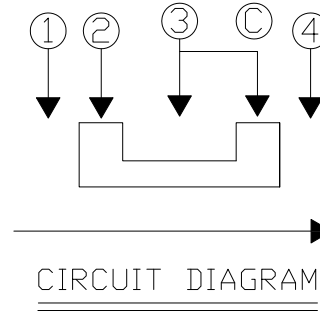
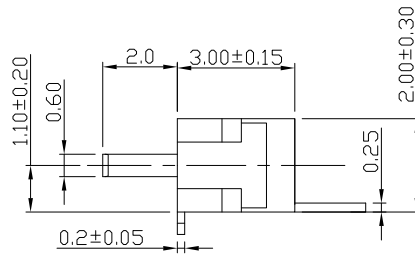
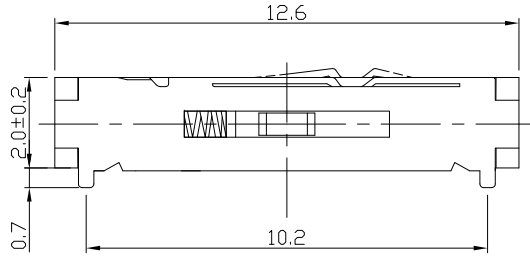




RoHS
Compliant
2002/95/EC

REV.	ECN.	NO.	APPD.

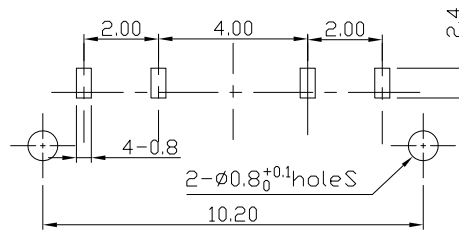
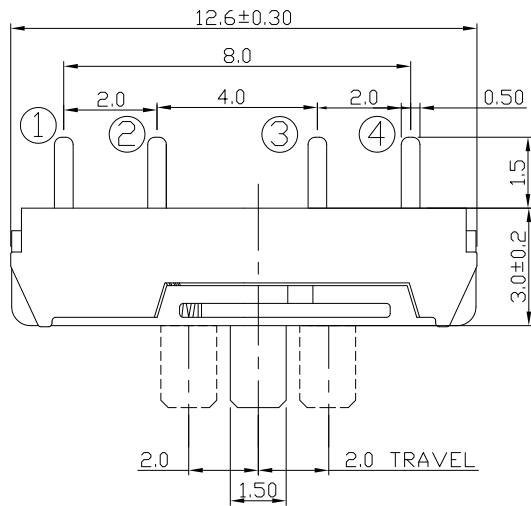
DIMENSIONS



MODEL CODE

AS-1370RL-**B**

Knob Color	
B	Black



P.C.B LAYOUT
TOP VIEW

ELECTRO-MECHANICAL CHARACTERISTICS

Refer to additional specifications

Rating	DC 6V 0.3A
Circuit	1P3T
Contact Resistance	70mΩ Max.
Travel	2.0mm
Operating Force	150±50gf
Operating Life(cycles)	10,000

NO.	PARTS	MATERIAL	Q'TY	FINISHING
8				
7				
6				
5				
4	CONTACT FOOT	BRASS	4	Ag-Plating
3	COAT	STEEL	1	
2	BUTTON	PA9T	1	
1	HOUSING	PA9T	1	

WITHIN 1.5mm±0.1mm
OVER 1.5mm±0.2mm

THESE DRAWINGS AND SPECIFICATIONS ARE THE PROPERTY OF ACCURATE INNOTECH INC AND SHALL NOT BE REPRODUCED, COPIED OR USED IN ANY MANNER WITHOUT THE PRIOR WRITTEN CONSENT OF ACCURATE INNOTECH INC.

UNITS	雅安科技有限公司 ACCURATE INNOTECH INC.			
mm	TITLE: MINI SLIDE SWITCH / HORIZONTAL		PART NO.: AS-1370RL SERIES	
MAT'L	DR: <i>Ricky</i> 2015/04/10		DWG NO.: ADL-1370RL	
SEE NOTE	CHKD: <i>Ricky</i> 2015/04/10		SCALE	SHEET
FINISH	APPD:	REV.	4:1	1/1
SEE NOTE		A		
Q'TY				CUSTOMER DRAWING