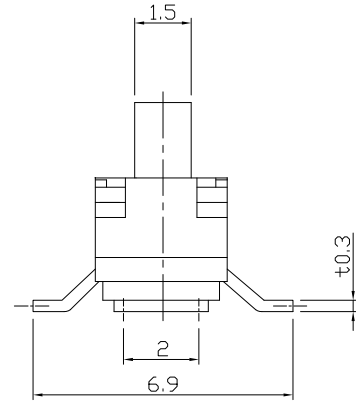
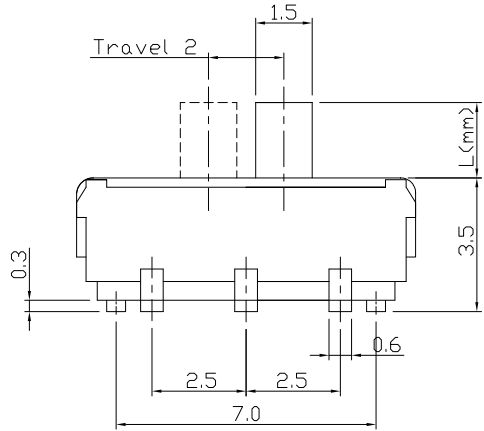




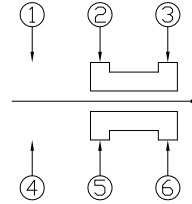
RoHS
Compliant
2002/95/EC

REV.	ECN.	NO.	APPD.

DIMENSIONS



CIRCUIT DIAGRAM



PRODUCT IMAGE



MODEL CODE

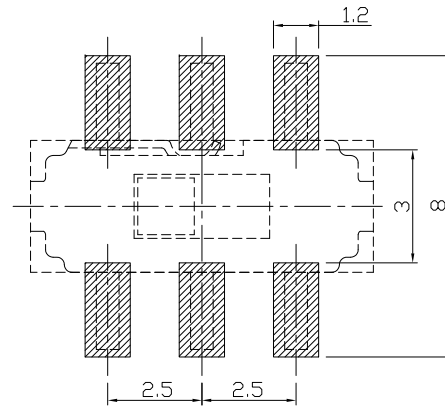
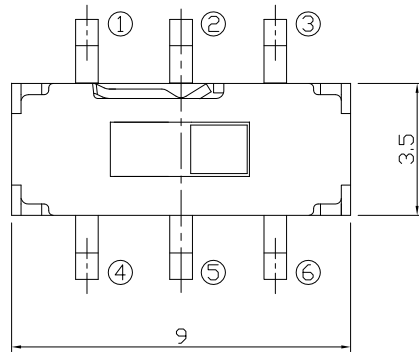
AS-2235S - B

L	(mm)
-	2.0
A	4.0
B	3.0

Knob Color	
B	Black
W	White

P.C.B MOUNTING PATTERN DIMENSION

The following soldering patterns are recommended for reflow soldering



ELECTRO-MECHANICAL CHARACTERISTICS

Refer to additional specifications

Rating	DC 6V 0.3A
Circuit	2C-2P
Contact Resistance	70mΩ Max.
Travel	2.0 ± 0.3mm
Operating Force	200±100gf
Operating Life(cycles)	10,000

.X ±0.2 X. ±2'

UNITS mm

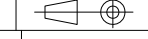
MAT'L

SEE NOTE

FINISH

SEE NOTE

Q'TY



雅安科技有限公司
ACCURATE INNOTECH INC.

TITLE:
MINI SLIDE SWITCH

DR: *Ricky* 2014/04/03

CHKD: *Ricky* 2014/04/03

APPD:

PART NO.:
AS-2235S SERIES

DWG NO.:
ASI-2235S

SCALE	SHEET	REV.	CUSTOMER
1:1	1/1	A	DRAWING

THESE DRAWINGS AND SPECIFICATIONS ARE THE PROPERTY OF ACCURATE INNOTECH INC AND SHALL NOT BE REPRODUCED, COPIED OR USED IN ANY MANNER WITHOUT THE PRIOR WRITTEN CONSENT OF ACCURATE INNOTECH INC.